

STR-D365

SERVICE MANUAL

US Model
Canadian Model



SPECIFICATIONS

Audio power specifications

POWER OUTPUT AND TOTAL HARMONIC DISTORTION

With 8-ohm load, both channels driven, from 40 - 20,000 Hz, rated 100 watts per channel minimum RMS power, with no more than 0.8 % total harmonic distortion from 250 milliwatts to rated output. (USA model only)

Amplifier section

Dynamic power output
8 ohms: 150 W + 150 W
4 ohms: 210 W + 210 W

Harmonic distortion at rated output
Less than 0.8 %

Frequency response
PHONO: RIAA equalization curve ± 0.5 dB
CD, TAPE/MD, VIDEO: 10 Hz - 50 kHz ± 1 dB

Inputs

	Sensitivity	Impedance	S/N (weighting network, input level)
PHONO (MM)	2.5 mV	50 kilohms	74 dB 72 dB* (A, 2.5 mV)
CD	300 mV		
TAPE/MD, TV/LD, VIDEO	200 mV	50 kilohms	95 dB 80 dB* (A, 250 mV)

* '78 IHF

Outputs

REC OUT VIDEO
(AUDIO) OUT:
Voltage 250 mV,
Impedance 10 kilohms
PHONES: Accepts low and high impedance headphones

Muting -20 dB

BASS BOOST +10 dB at 70 Hz

TONE ± 8 dB at 100 Hz and 10 kHz

FM tuner section

Tuning range 87.5 - 108.0 MHz

Antenna terminals 75 ohms, unbalanced
300 ohms, unbalanced

Sensitivity Mono: 18.3 dBf, 4.5 μ V
Stereo: 38.3 dBf, 45 μ V

Usable sensitivity 11.2 dBf, 2 μ V (IHF)

S/N Mono: 76 dB
Stereo: 70 dB

Harmonic distortion at 1 kHz Mono: 0.3 %
Stereo: 0.5 %

Separation 45 dB at 1 kHz

Frequency response 30 Hz - 15 kHz $^{-0.5}$ dB $^{-2}$ dB

Selectivity 60 dB at 400 kHz

— Continued on next page —

FM STEREO FM-AM RECEIVER
SONY®



AM tuner section

Tuning range	With 10 kHz interval**: 530 - 1710 kHz With 9 kHz interval: 531 - 1710 kHz
Antenna	Loop antenna
Usable sensitivity	50 dB/m (at 1,000 kHz or 999 kHz)
S/N	54 dB (at 50 mV/m)
Harmonic distortion	0.5 % (50 mV/m, 400 kHz)
Selectivity	At 9 kHz: 35 dB At 10 kHz: 40 dB

** You can change the AM tuning interval to 9 kHz. After tuning in any AM station, turn off the receiver. Hold down the PRESET TUNING + button and press the POWER button. All preset stations will be erased when you change the interval. To reset the interval to 10 kHz, repeat the procedure.

General

System	Tuner section: PLL quartz-locked digital synthesizer system Preamplifier section: Low-noise NF type equalizer Power amplifier section: Pure-complimentary SEPP
Power requirements	120 V AC, 60 kHz
Power consumption	USA model: 186 W Canada model: 290 VA
AC outlets	1 switched, total 120 W/ 1A Max
Dimensions	17 x 5 ³ / ₈ x 11 ⁵ / ₈ inches (430 x 135 x 295 mm)
Mass (Approx.)	6.8 kg (15 lb)
Supplied accessories	FM wire antenna (1) AM loop antenna (1) Remote controller (remote) (1) Size AA (R6) batteries (2)

Design and specifications are subject to change without notice.

TABLE OF CONTENTS

Section	Title	Page
SERVICE NOTE	3
TEST MODE	4
SECTION 1. GENERAL	5
SECTION 2. DISASSEMBLY		
2-1.	Case and Front Panel	6
2-2.	Display and Tone Board	6
2-3.	Back Panel	7
2-4.	SP SW Board	7
2-5.	Main Board	8
2-6.	VOL and VOL-M Connect Board	8
SECTION 3. DIAGRAMS		
3-1.	Circuit Boards Location	9
3-2.	Block Diagram	10
3-3.	Printed Wiring Board — Main Section —	13
3-4.	Schematic Diagram — Main Section —	17
3-5.	Printed Wiring Board — Display Section —	21
3-6.	Schematic Diagram — Display Section —	25
3-7.	IC Block Diagrams	28
3-8.	IC Pin Function • IC201 (μPD78044GF-126-3B9)	29
SECTION 4. EXPLODED VIEWS		
4-1.	Case and Front Panel Section	31
4-2.	Chassis Section	32
4-3.	Main Board Section	33
SECTION 5. ELECTRICAL PARTS LIST	34

SAFETY-RELATED COMPONENT WARNING !!

COMPONENTS IDENTIFIED BY MARK Δ OR DOTTED LINE WITH MARK Δ ON THE SCHEMATIC DIAGRAMS AND IN THE PARTS LIST ARE CRITICAL TO SAFE OPERATION. REPLACE THESE COMPONENTS WITH SONY PARTS WHOSE PART NUMBERS APPEAR AS SHOWN IN THIS MANUAL OR IN SUPPLEMENTS PUBLISHED BY SONY.

ATTENTION AU COMPOSANT AYANT RAPPORT À LA SÉCURITÉ!!

LES COMPOSANTS IDENTIFIÉS PAR UNE MARQUE Δ SUR LES DIAGRAMMES SCHÉMATIQUES ET LA LISTE DES PIÈCES SONT CRITIQUES POUR LA SÉCURITÉ DE FONCTIONNEMENT. NE REMPLACER CES COMPOSANTS QUE PAR DES PIÈCES SONY DONT LES NUMÉROS SONT DONNÉS DANS CE MANUEL OU DANS LES SUPPLÉMENTS PUBLIÉS PAR SONY.

SAFETY CHECK-OUT

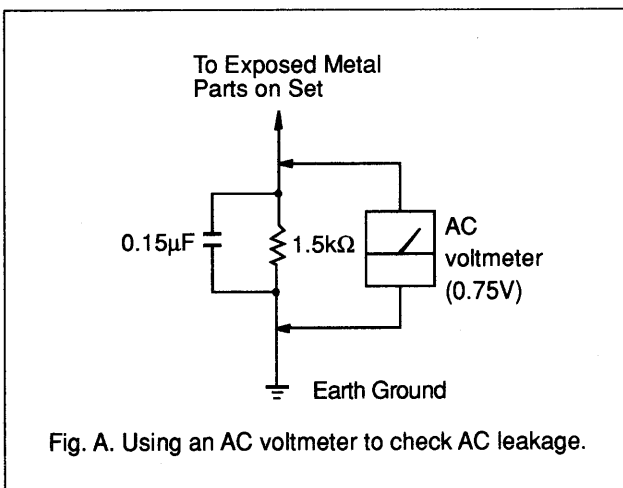
After correcting the original service problem, perform the following safety checks before releasing the set to the customer:

Check the antenna terminals, metal trim, "metallized" knobs, screws, and all other exposed metal parts for AC leakage. Check leakage as described below.

LEAKAGE

The AC leakage from any exposed metal part to earth ground and from all exposed metal parts to any exposed metal part having a return to chassis, must not exceed 0.5 mA (500 microamperes). Leakage current can be measured by any one of three methods.

1. A commercial leakage tester, such as the Simpson 229 or RCA WT-540A. Follow the manufacturers' instructions to use these instruments.
2. A battery-operated AC milliammeter. The Data Precision 245 digital multimeter is suitable for this job.
3. Measuring the voltage drop across a resistor by means of a VOM or battery-operated AC voltmeter. The "limit" indication is 0.75 V, so analog meters must have an accurate low-voltage scale. The Simpson 250 and Sanwa SH-63Trd are examples of a passive VOM that is suitable. Nearly all battery operated digital multimeters that have a 2V AC range are suitable. (See Fig. A)



SERVICE NOTE

PROTECT MODE

"PROTECT" will be displayed on the FL display when the amplifier is faulty or when the connectors between boards have disconnected, etc.

In the case of faulty connection, connect all the connectors of the unit again, and turn on the power. The protection will be canceled.

• How to avoid the "PROTECT" mode disconnecting VOL BOARD

Short-circuit between two of TP SV on the VOL-M CONNECT BOARD, and turn on the power.

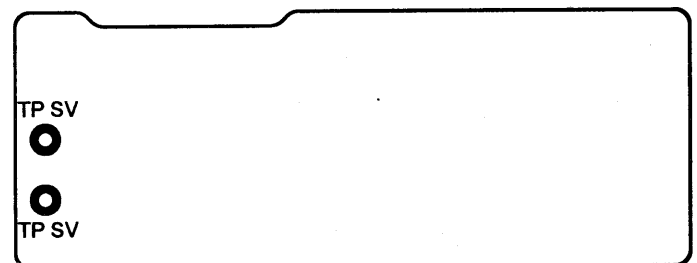
In this case, the circuit of the MAIN BOARD does not operate, but that of the DISPLAY BOARD operates.

Disconnect the connected read line afterwards.

TEST POINT LOCATION :

[VOL-M CONNECT BOARD]

— CONDUCTOR SIDE —



TEST MODE

FL CHECK MODE

1. Turn off the power supply.
2. While pressing preset buttons [6], [7] and [8], turn on the power.
3. All the FL displays light up (Fig. 1.), after one second some light up several times, and "END" will be displayed.
4. Turn off the power.

NOTE : The preset memory will be erased if the FL CHECK MODE is performed. Therefore, note down the memory contents beforehand and set the preset memory again as before after completely this mode.

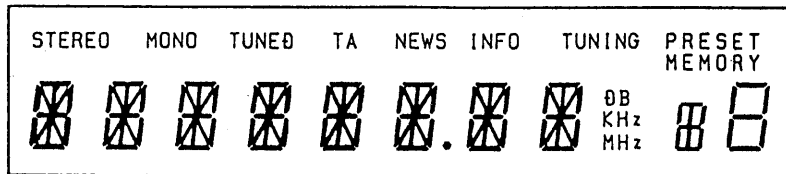
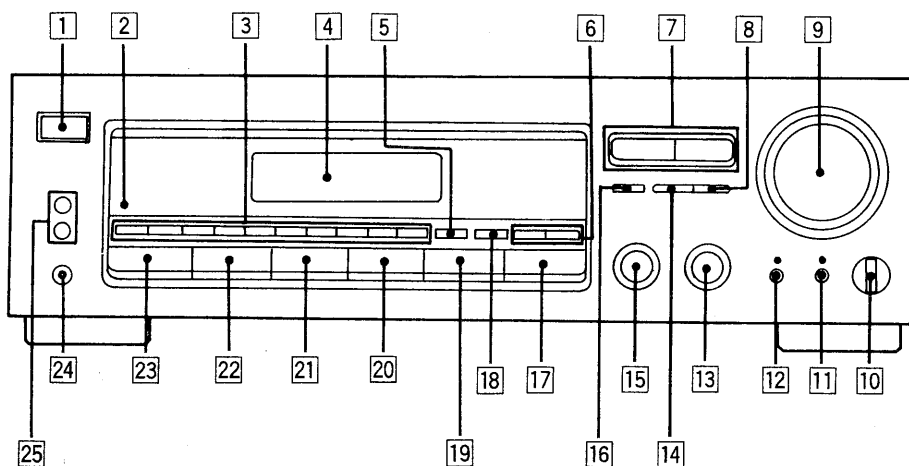


Fig. 1. When All FL Displays are Lit

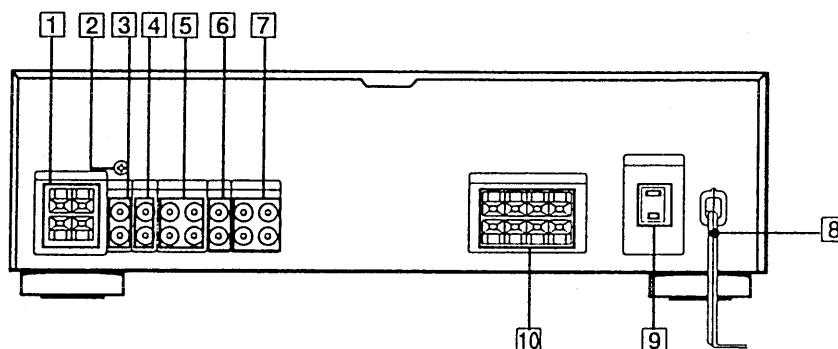
SECTION 1 GENERAL

Front Panel



- | | |
|----------------------------|------------------------|
| 1 POWER switch | 14 BAND button |
| 2 Remote sensor | 15 BASS control |
| 3 Numeric buttons | 16 MEMORY button |
| 4 Display window | 17 PHONO button |
| 5 DIRECT button | 18 SHIFT button |
| 6 PRESET TUNING +/- button | 19 TUNER button |
| 7 TUNING +/- button | 20 CD button |
| 8 FM MODE button | 21 TAPE/MD button |
| 9 VOLUME control | 22 TV/LD button |
| 10 BALANS control | 23 VIDEO button |
| 11 BASS BOOST button | 24 PHONES jack |
| 12 MUTING -20dB button | 25 SPEAKERS A/B button |
| 13 TREBLE control | |

Rear Panel

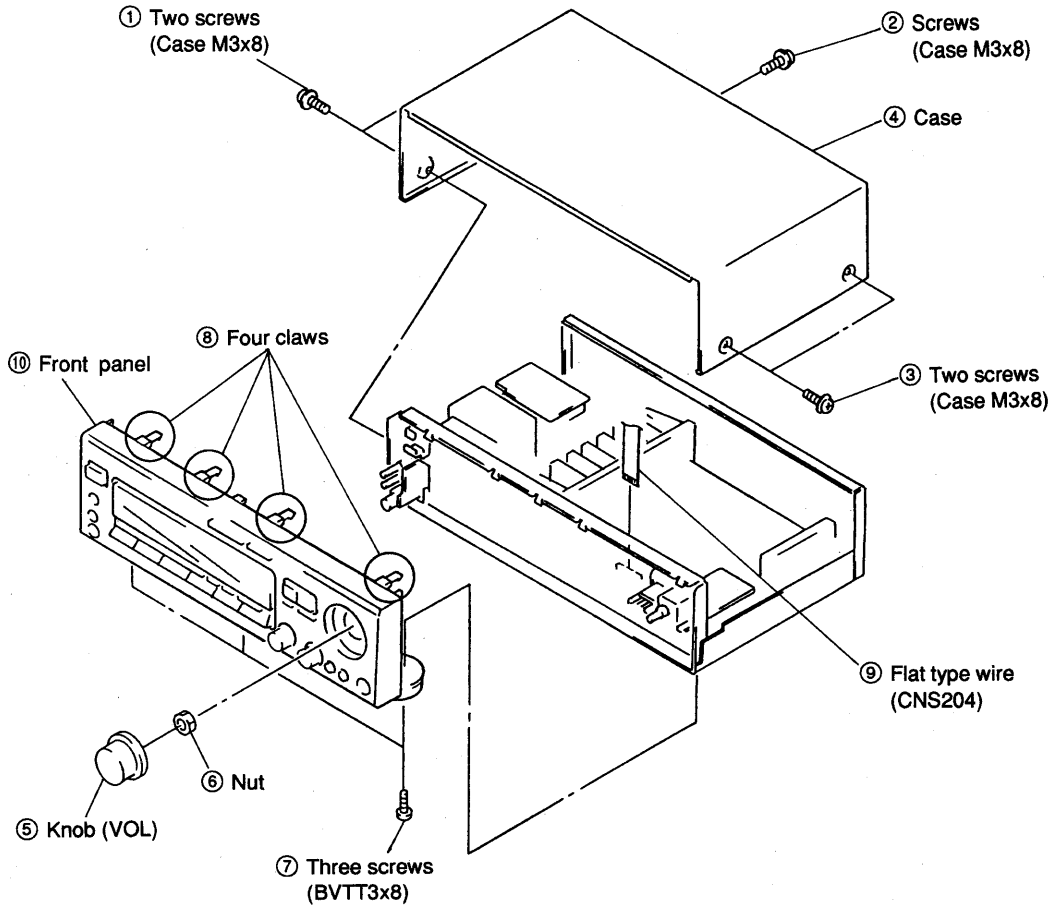


- | | | |
|---------------------------|-----------|-------------------------|
| 1 ANTENNA (AM/FM) | 5 TAPE/MD | 8 AC power cord |
| 2 \hbar ground terminal | 6 TV/LD | 9 SWITCHED AC OUTLET |
| 3 PHONO | 7 VIDEO | 10 FRONT SPEAKERS (A/B) |
| 4 CD | | |

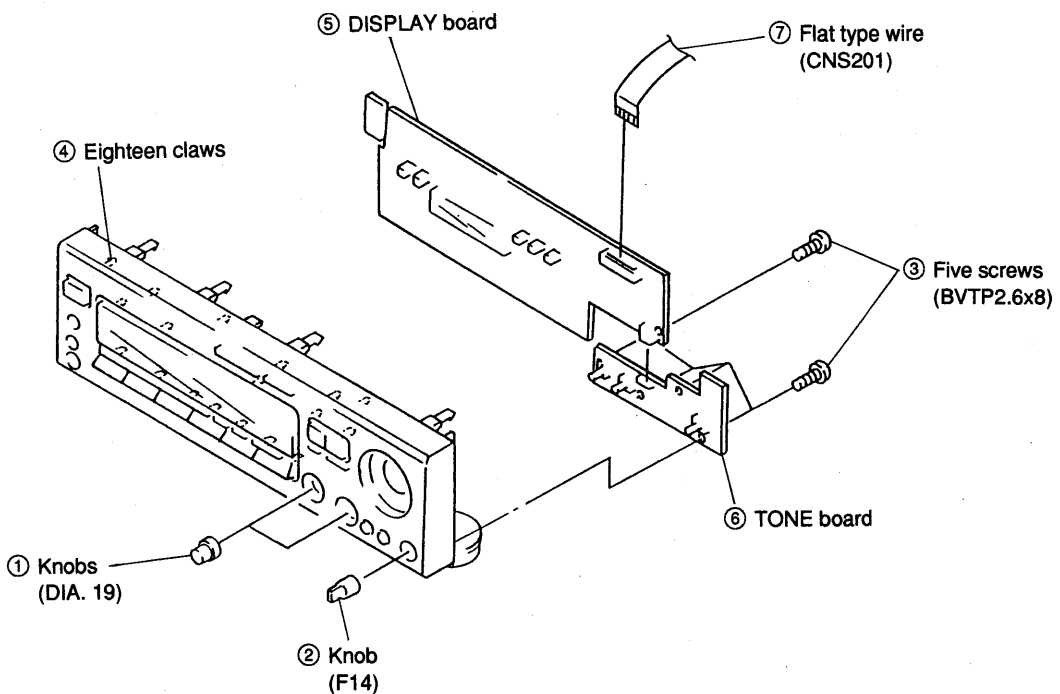
SECTION 2 DISASSEMBLY

Note : Follow the disassembly procedure in the numerical order given.

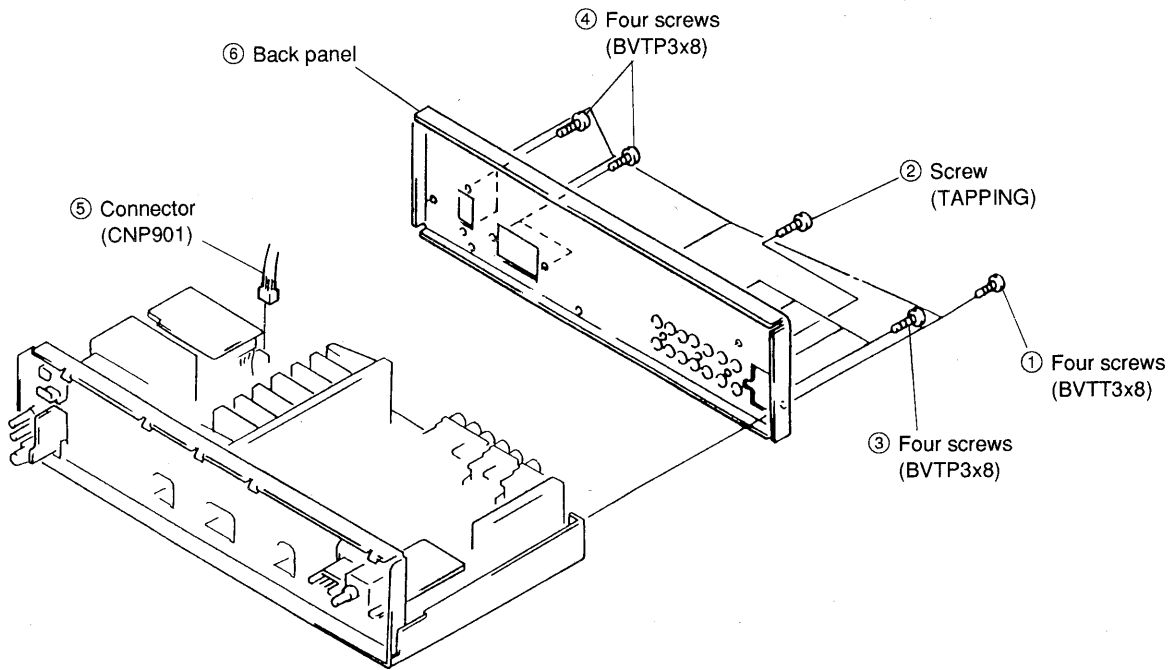
2-1. CASE AND FRONT PANEL



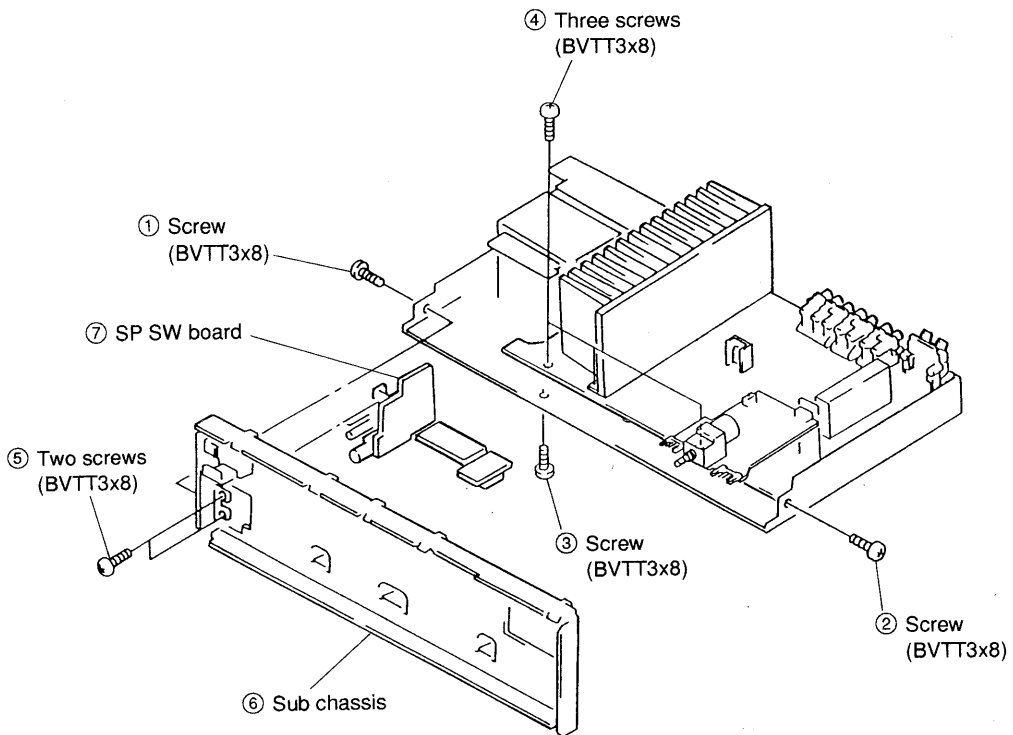
2-2. DISPLAY AND TONE BOARD



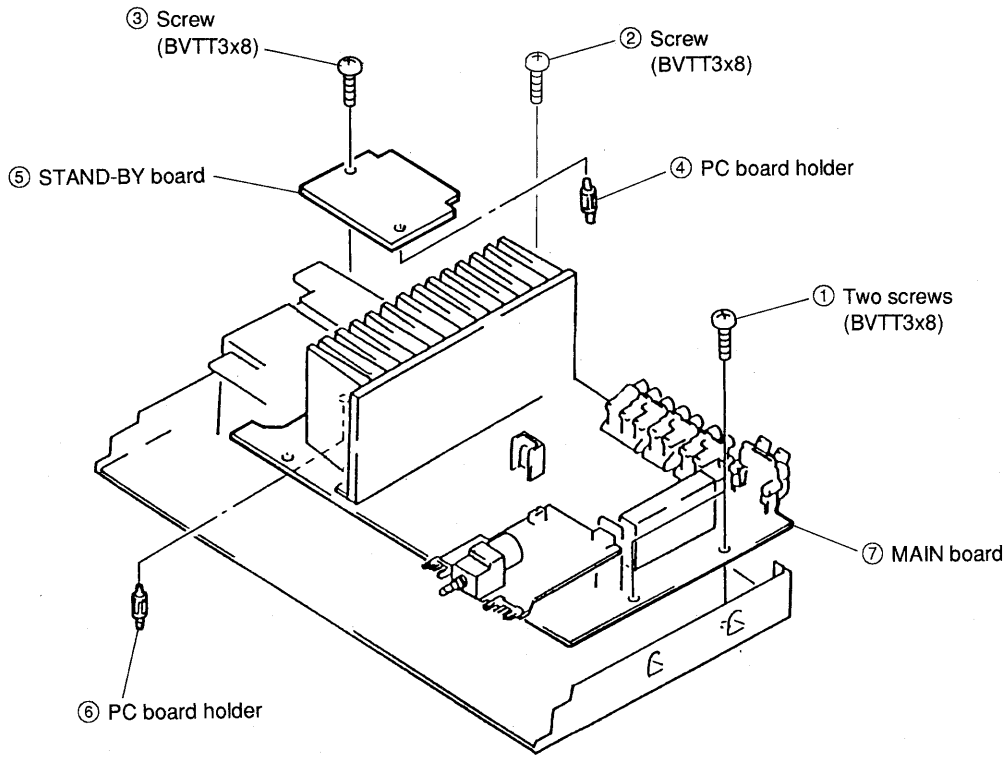
2-3. BACK PANEL



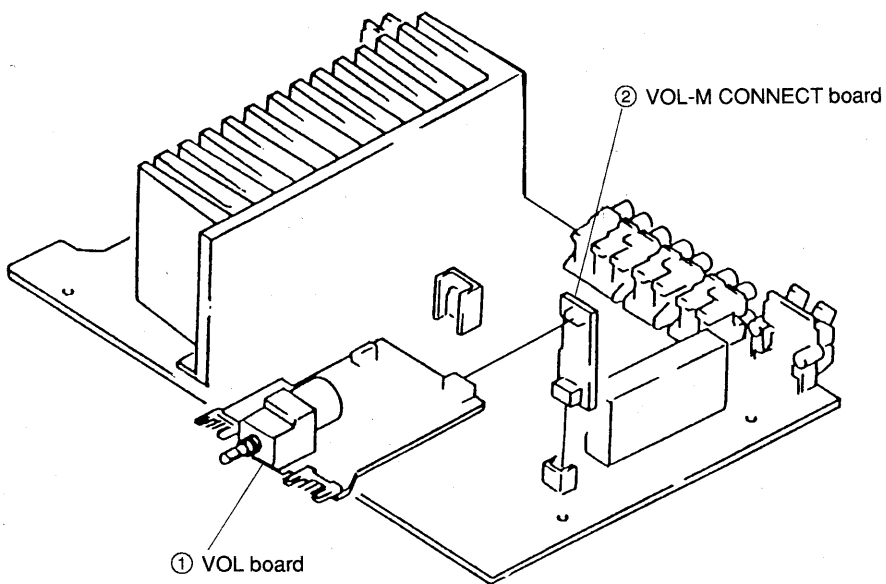
2-4. SP SW BOARD



2-5. MAIN BOARD

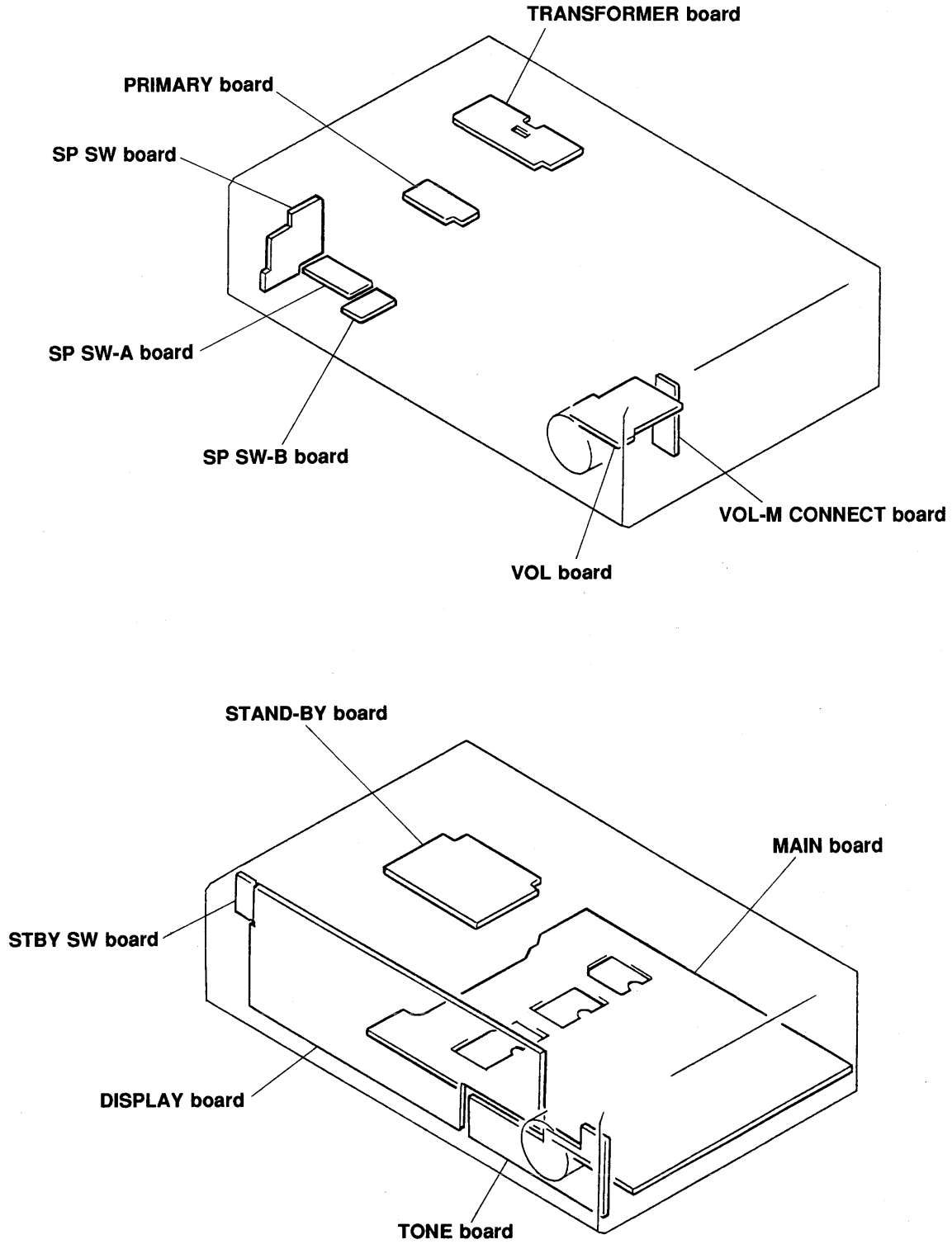


2-6. VOL AND VOL-M CONNECT BOARD

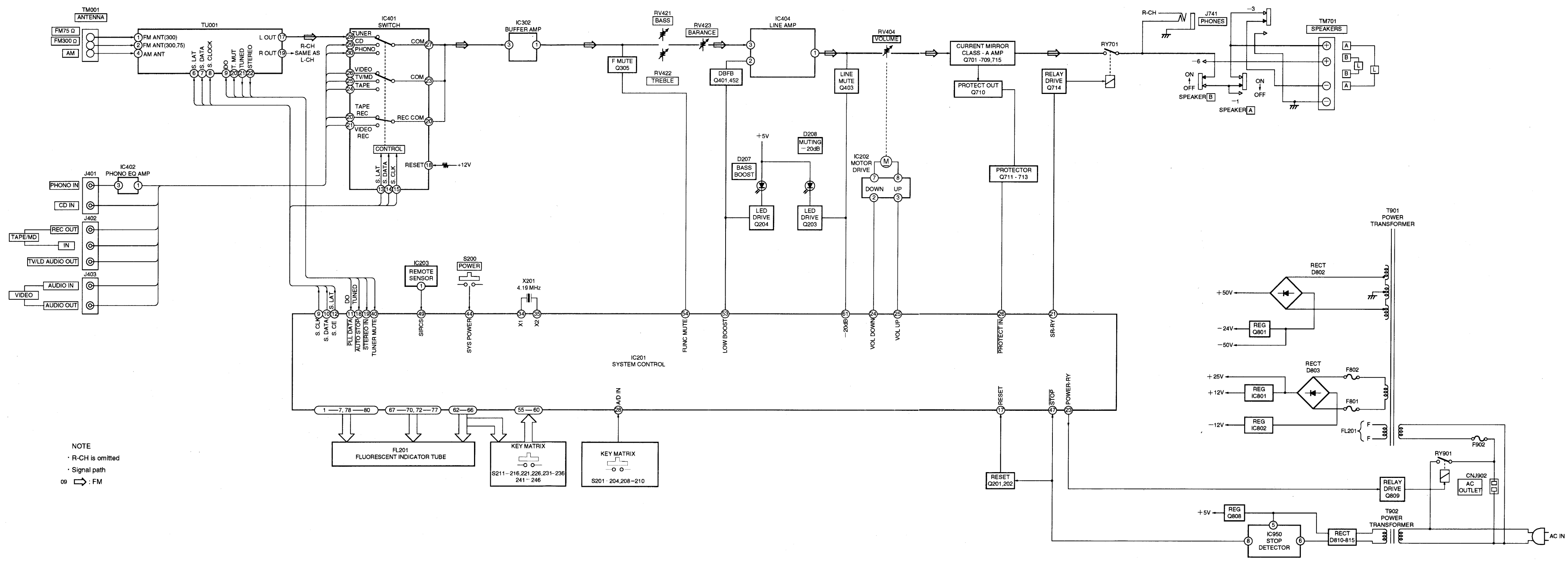


SECTION 3 DIAGRAMS

3-1. CIRCUIT BOARDS LOCATION



3-2. BLOCK DIAGRAM

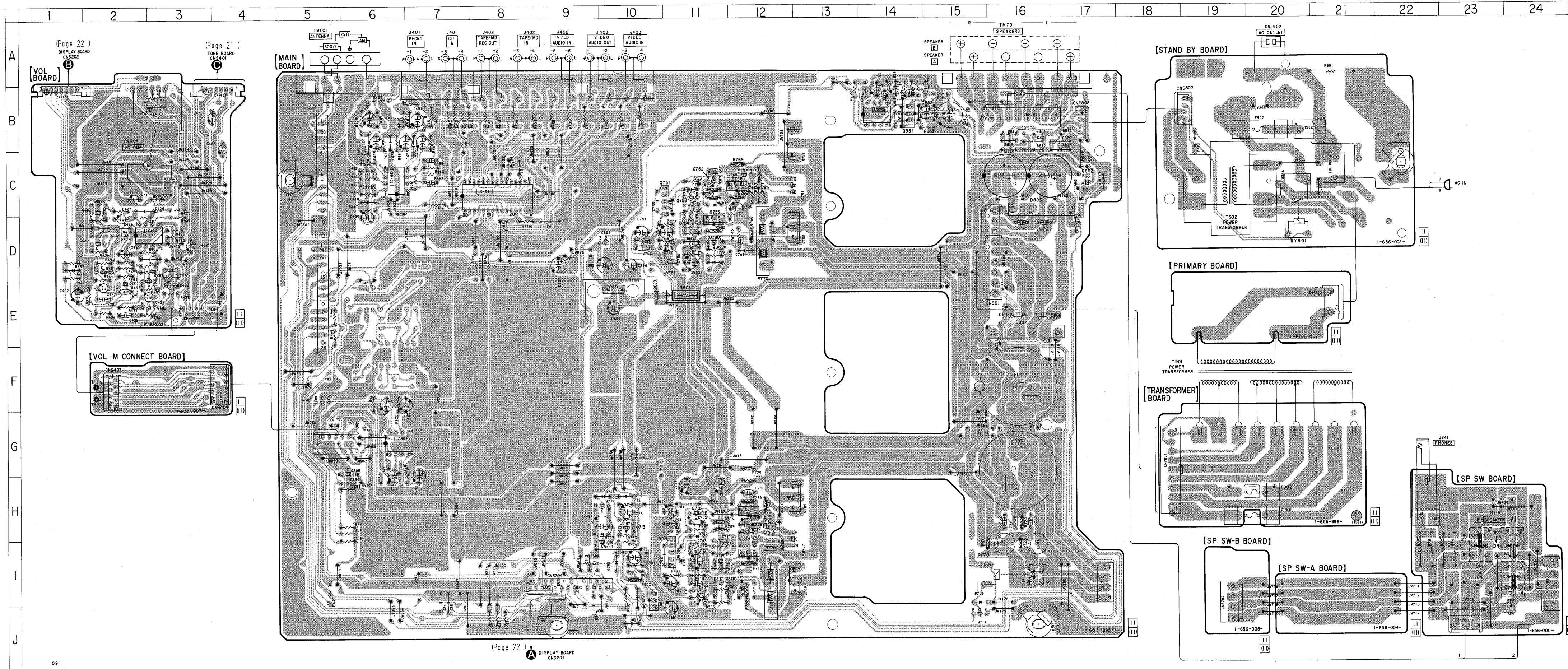


NOTE
 · R-CH is omitted
 · Signal path
 ⤵ : FM

3-3. PRINTED WIRING BOARD — MAIN SECTION —
 • See page 9 for Circuit Boards Location.

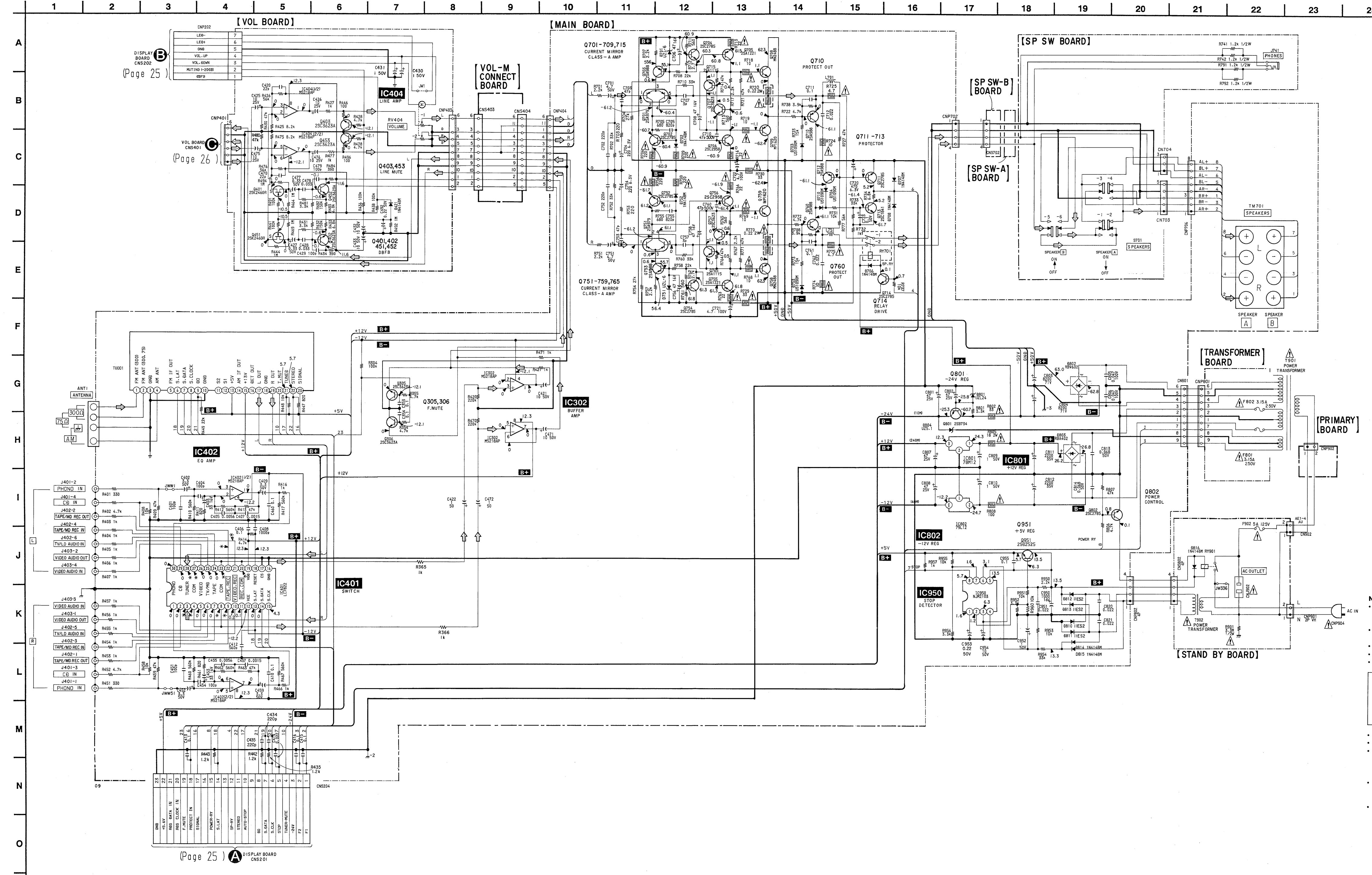
• Semiconductor Location

Ref. No.	Location	Ref. No.	Location
D421	D-1	Q402	E-2
D701	I-11	Q403	C-2
D702	H-11	Q451	D-2
D703	I-11	Q452	E-2
D704	H-10	Q453	D-2
D706	I-15	Q701	I-11
D707	H-12	Q702	H-11
D708	I-10	Q703	I-11
D710	H-10	Q704	I-11
D751	D-11	Q705	I-12
D752	C-11	Q706	H-12
D753	D-11	Q707	H-12
D801	I-10	Q708	I-12
D802	E-16	Q709	H-12
D803	C-16	Q710	I-11
D804	I-10	Q711	I-10
D810	B-17	Q712	H-10
D811	B-17	Q713	H-10
D812	B-16	Q714	J-15
D813	B-16	Q715	H-12
D814	B-16	Q751	C-11
D815	B-16	Q752	C-11
IC302	G-6	Q753	C-11
IC401	C-8	Q754	D-11
IC402	C-6	Q755	D-11
IC404	D-2	Q756	C-12
IC801	E-10	Q757	C-12
IC802	D-10	Q758	D-12
IC950	B-14	Q759	B-12
		Q760	D-11
		Q765	C-12
Q305	G-6	Q801	I-10
Q306	F-5	Q802	C-17
Q401	D-2	Q951	B-14



Note:
 • : parts extracted from the component side.
 • Δ : internal component.
 • : Pattern from the side which enable seeing.

3-4. SCHEMATIC DIAGRAM — MAIN SECTION —
• See page 28 for IC Block Diagrams.



Note:

- All capacitors are in μF unless otherwise noted. pF , μM , F or less are not indicated except for electrolytics and tantalums.
- All resistors are in Ω and $1/4\text{W}$ or less unless otherwise specified.
- Δ : internal component.
- \square : nonflammable resistor.
- \square : panel designation.

Note:

The components identified by mark Δ or dotted line with mark Δ are critical for safety. Replace only with part number specified.

Les composants identifiés par une marque Δ sont critiques pour la sécurité. Ne les remplacer que par une pièce portant le numéro spécifié.

B+: B+ Line
B-: B- Line

Voltage and waveforms are dc with respect to ground under no-signal conditions.

can not be measured.

Voltages are taken with a VOM (input impedance 10M Ω). Voltage variations may be noted due to normal production tolerances.

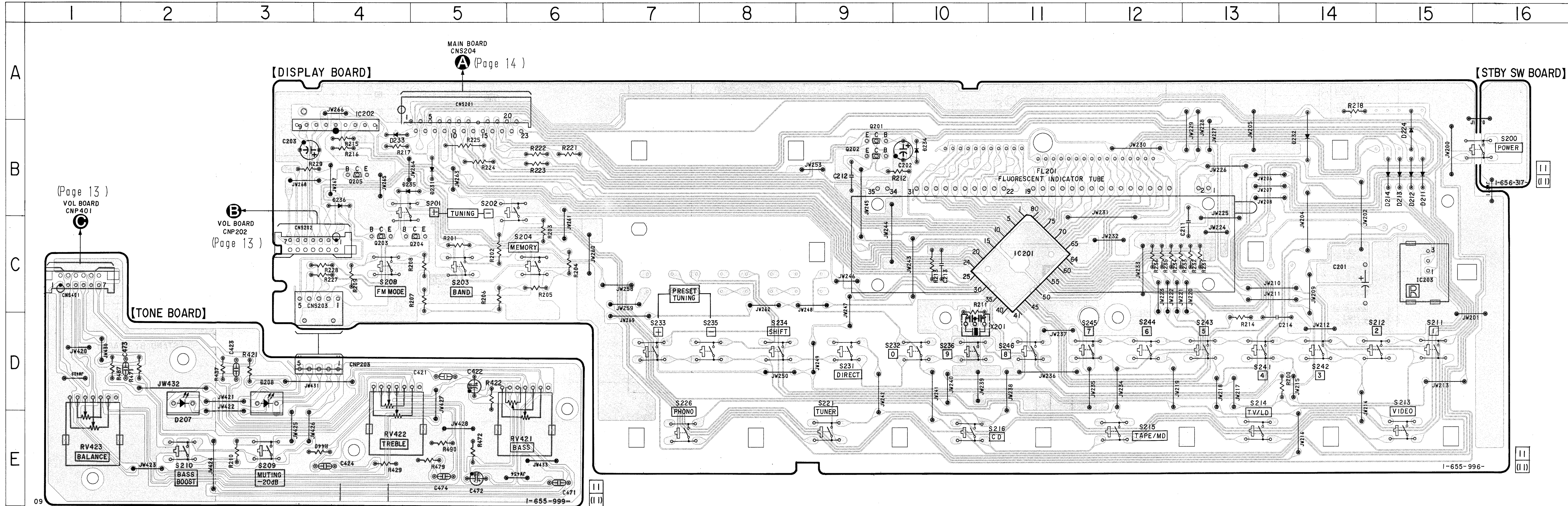
Signal path.

\rightarrow : FM

3-5. PRINTED WIRING BOARD — DISPLAY SECTION —
 • See page 9 for Circuit Boards Location.

• Semiconductor Location

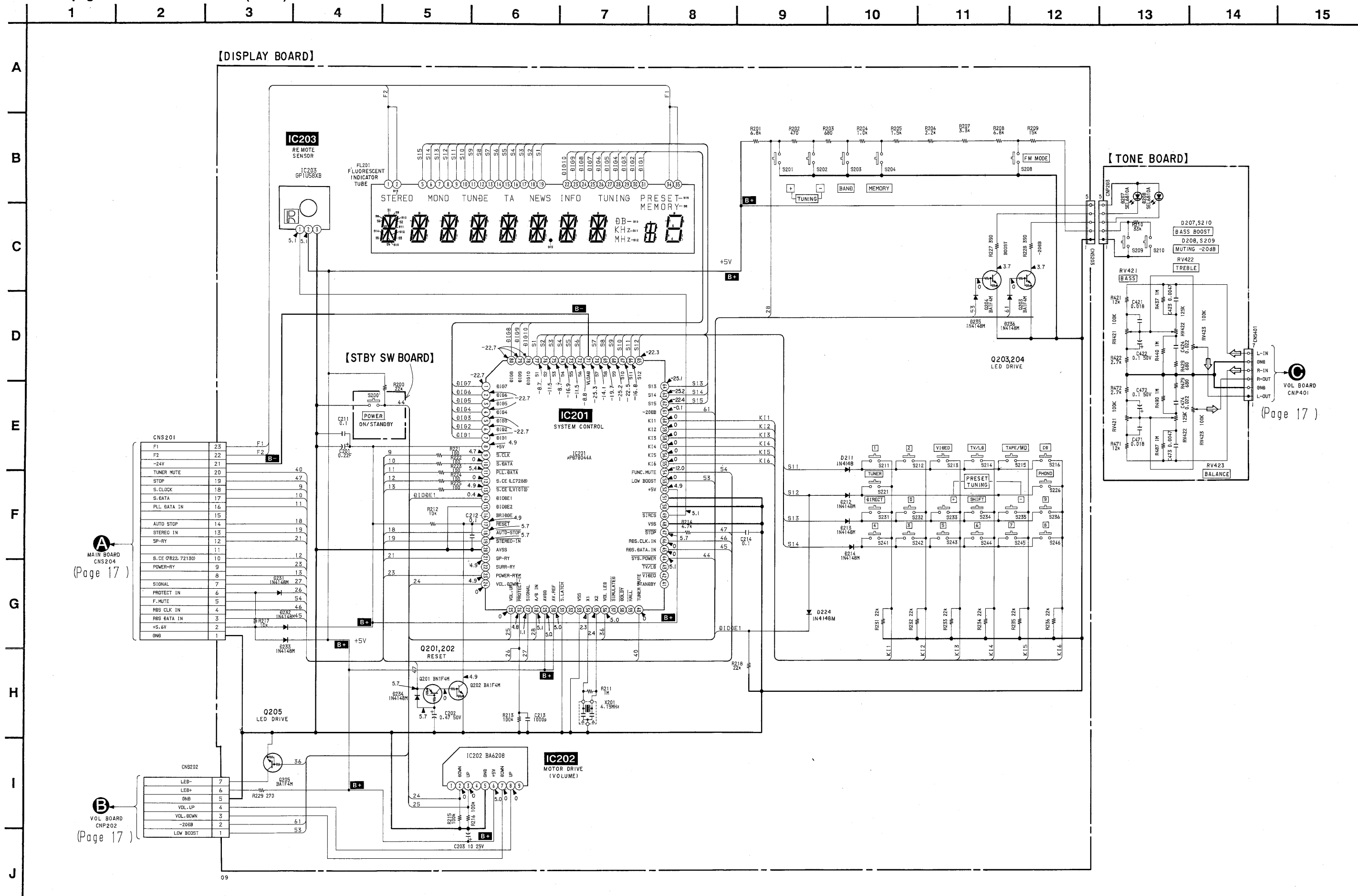
Ref. No.	Location
D207	D-2
D208	D-3
D211	B-15
D212	B-15
D213	B-15
D214	B-15
D224	B-15
D231	B-5
D232	B-14
D233	B-4
D234	B-14
D235	B-4
D236	B-4
IC201	C-11
IC202	B-4
IC203	C-15
Q201	B-9
Q202	B-9
Q203	C-4
Q204	C-5
Q205	B-4



Note:
 • : parts extracted from the component side.
 • Δ : internal component.
 • : Pattern from the side which enable seeing.

3-6. SCHEMATIC DIAGRAM — DISPLAY SECTION —

- See page 28 for IC Block Diagrams.
- See page 29 for IC Pin Function. (IC201)



Note:

- All capacitors are in μF unless otherwise noted. pF : μF 50WV or less are not indicated except for electrolytics and tantalums.
- All resistors are in Ω and 1/4W or less unless otherwise specified.
- Δ : internal component.
- \square : panel designation.

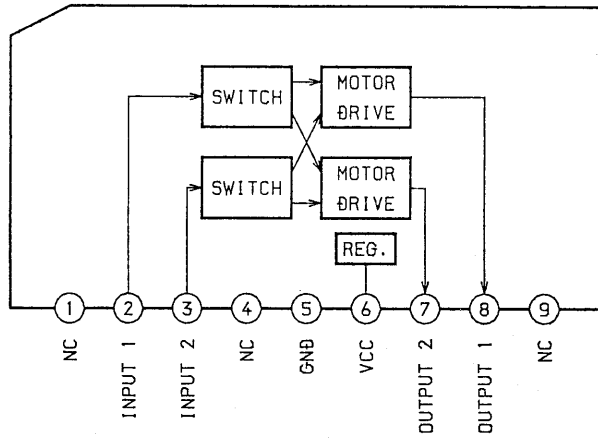
Note:
The components identified by mark Δ or dotted line with mark Δ are critical for safety. Replace only with part number specified.

Note:
Les composants identifiés par une marque Δ sont critiques pour la sécurité. Ne les remplacer que par une pièce portant le numéro spécifié.

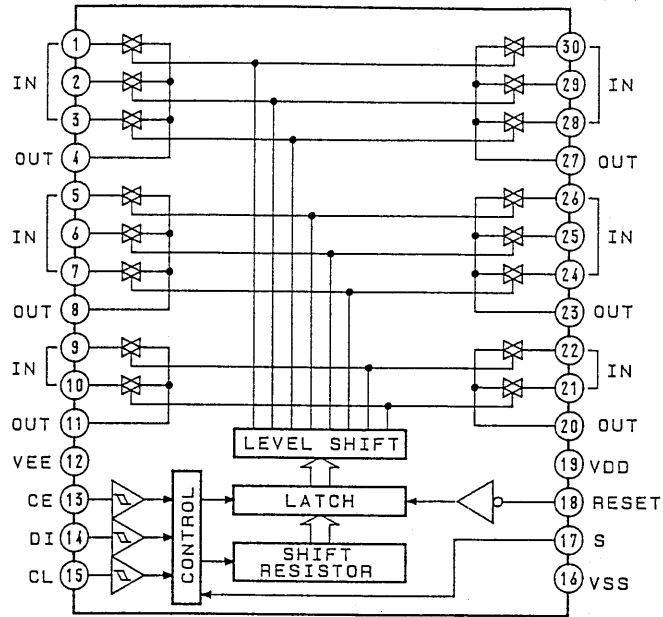
- **B+** : B+ Line
- **B-** : B- Line
- Voltage and waveforms are dc with respect to ground under no-signal conditions.
no mark : FM
- Voltages are taken with a VOM (Input impedance 10M Ω). Voltage variations may be noted due to normal production tolerances.
- Signal path.
 \Rightarrow : FM

3-7. IC BLOCK DIAGRAMS

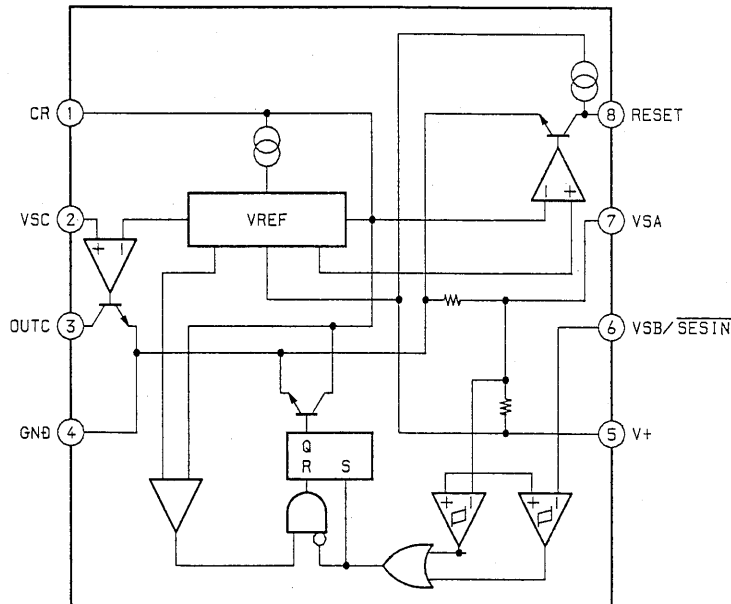
IC202 BA6208



IC401 LC7822



IC950 NJM2103



3-8. IC PIN FUNCTION

• IC201 μ PD78044GF-126-3B9

Pin No.	Pin Name	I/O	Function
1	DIG 7	O	Digit 7
2	DIG 6	O	Digit 6
3	DIG 5	O	Digit 5
4	DIG 4	O	Digit 4
5	DIG 3	O	Digit 3
6	DIG 2	O	Digit 2
7	DIG 1	O	Digit 1
8	+5V	—	Vdd
9	$\overline{S. CLK}$	O	Serial clock (normal high)
10	$\overline{S. DATA}$	O	Serial data
11	$\overline{PLL. DATA}$	I	PLL data in
12	S. CE (LC7288)	O	Serial CE (7822, 72130)
13	$\overline{S. CE (LV1010)}$	O	Serial CE (LV1010)
14	DIODE 1	I	Diode 1
15	DIODE 2	I	GND
16	BRIDGE	O	Bridgeable (not used open)
17	\overline{RESET}	I	Reset
18	$\overline{AUTO-STOP}$	I	Auto stop in
19	$\overline{STEREO-IN}$	I	Stereo in
20	AVSS	—	GND
21	SP-RY	O	Speaker relay
22	SURR-RY	O	Surround relay (not used open)
23	POWER-RY	O	Power relay
24	VOL. DOWN	O	Volume down
25	VOL. UP	O	Volume up
26	$\overline{PROTECT-IN}$	I	Protector in
27	SIGNAL	I	Signal meter
28	A/D IN	I	A/D converter analog in
29	AVDD	—	A/D converter power supply terminal (+5V)
30	AV. REF	—	A/D converter reference voltage (+5V)
31	$\overline{S. LATCH}$	—	GND
32			Open
33	VSS	—	GND
34	X1	—	System clock (4.19 MHz)
35	X2	—	System clock (4.19 MHz)
36	VOL LED	O	Volume LED
37	$\overline{SIMULATED}$	O	Simulated LED (not used open)
38	\overline{DOLBY}	O	Dolby (not used open)
39	HALL	O	Hall (not used open)
40	TUNER MUTE	O	Tuner mute

Pin No.	Pin Name	I/O	Function
41	STANDBY	O	Standby LED (not used open)
42	VIDEO	O	Video LED (not used open)
43	TV/LD	O	TV/LD LED (not used open)
44	SYS. POWER	I	System power in
45	RDS. DATA. IN	I	RDS data in
46	RDS. CLK. IN	I	RDS clock in
47	STOP	I	Stop
48	VSS	-	GND
49	SIRCS	I	Sircs input
50		-	GND
51		-	GND
52	+5V	-	Vdd
53	LOW BOOST	O	Low boost on/off
54	FUNC MUTE	O	Function mute
55	K16	I	Key in 6
56	K15	I	Key in 5
57	K14	I	Key in 4
58	K13	I	Key in 3
59	K12	I	Key in 2
60	K11	I	Key in 1
61	-20 dB	O	-20 dB mute
62	S15	O	Segment 15/key out 1
63	S14	O	Segment 14/key out 2
64	S13	O	Segment 13/key out 3
65	S12	O	Segment 12/key out 4
66	S11	O	Segment 11/key out 5
67	S10	O	Segment 10
68	S9	O	Segment 9
69	S8	O	Segment 8
70	S7	O	Segment 7
71	VLOAD	-	FIP pull down resistor
72	S6	O	Segment 6
73	S5	O	Segment 5
74	S4	O	Segment 4
75	S3	O	Segment 3
76	S2	O	Segment 2
77	S1	O	Segment 1
78	DIG 10	O	Digit 10
79	DIG 9	O	Digit 9
80	DIG 8	O	Digit 8

SECTION 4 EXPLODED VIEWS

NOTE:

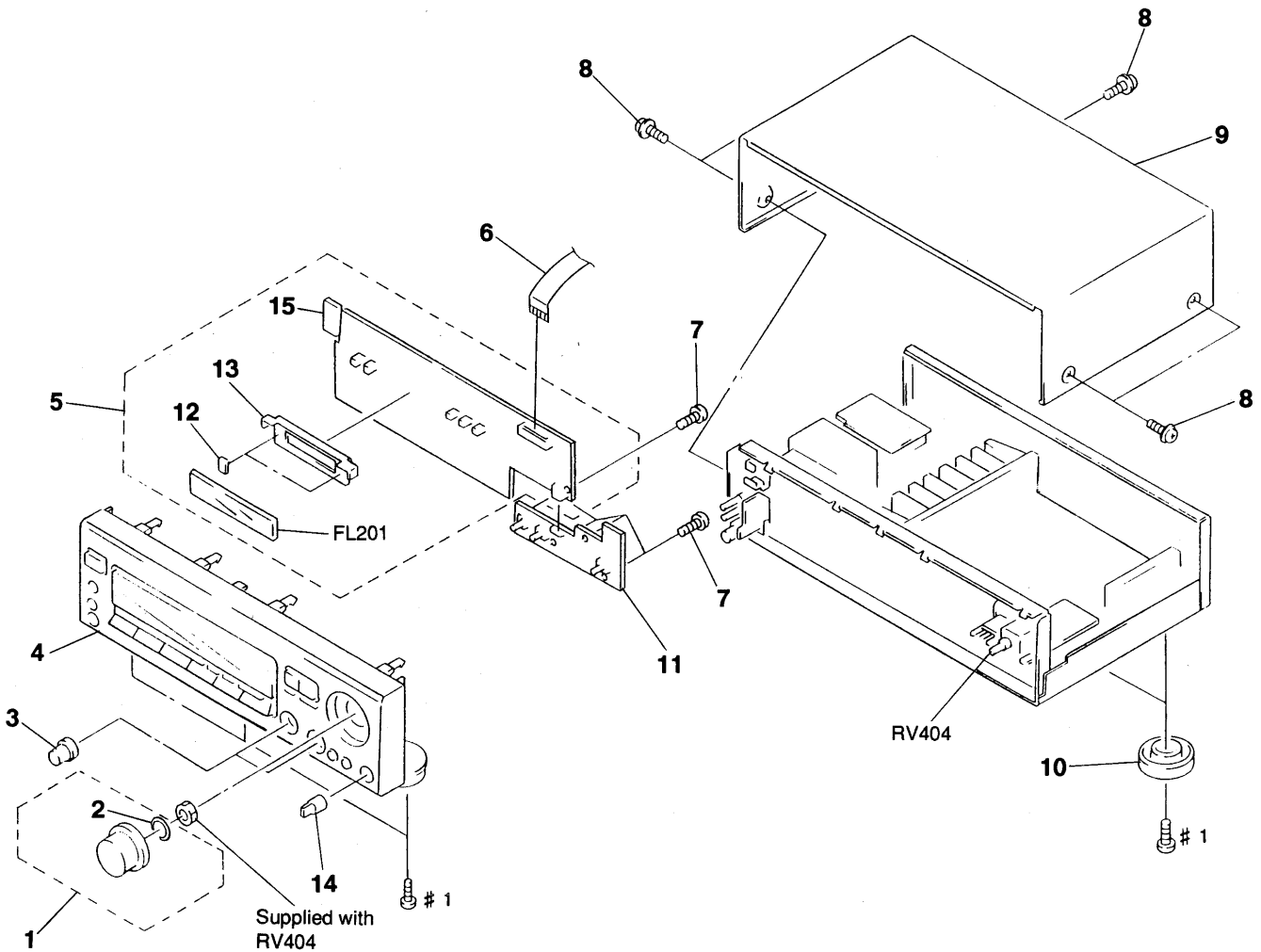
- Items marked “ * ” are not stocked since they are seldom required for routine service. Some delay should be anticipated when ordering these items.
- The mechanical parts with no reference number in the exploded views are not supplied.

- Hardware (# mark) list and accessories and packing materials are given in the last of this parts list.
- Abbreviation
CND : Canadian model

The components identified by mark Δ or dotted line with mark Δ are critical for safety. Replace only with part number specified.

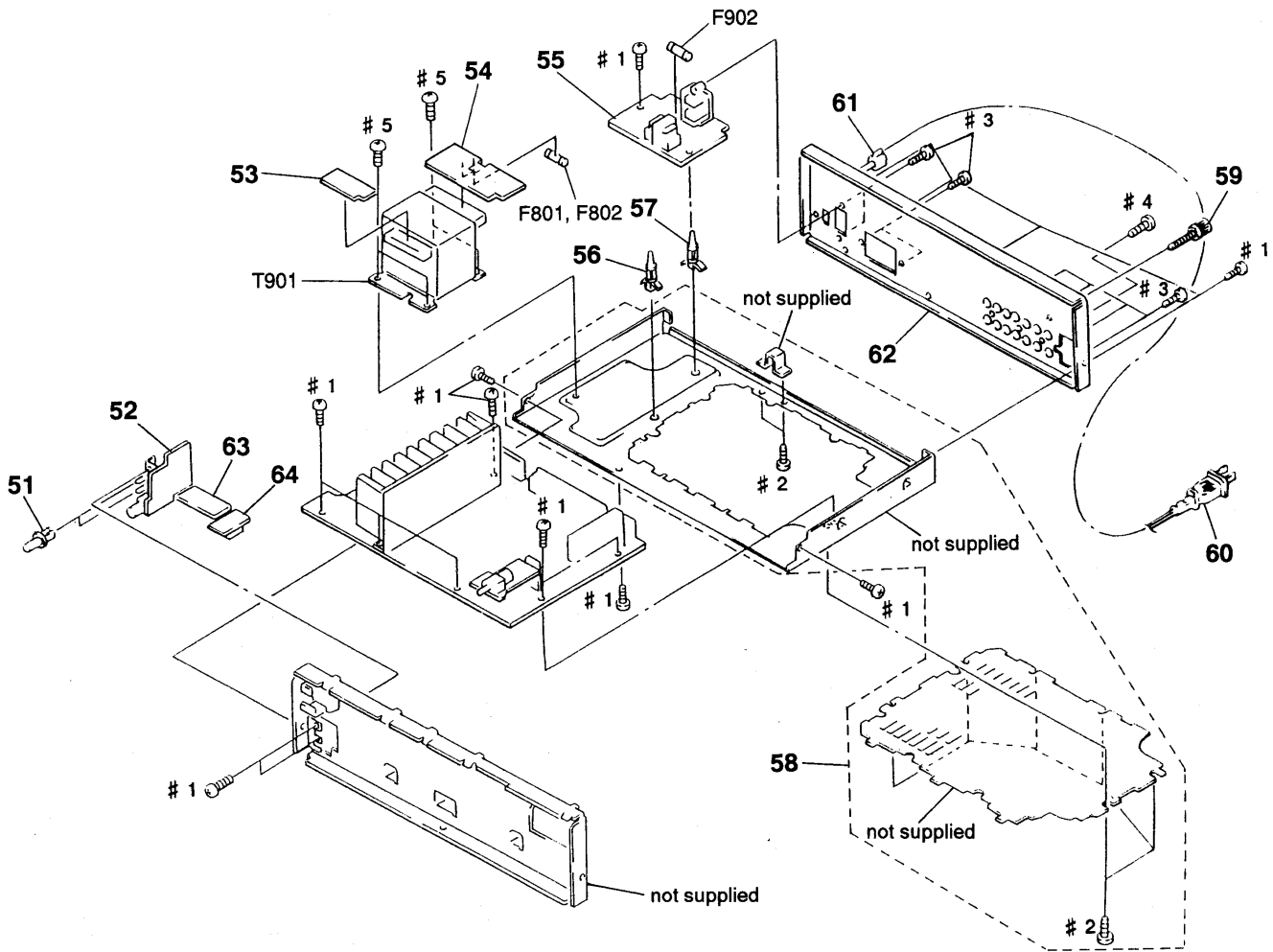
Les composants identifiés par une marque Δ sont critiques pour la sécurité. Ne les remplacer que par une pièce portant le numéro spécifié.

4-1. CASE AND FRONT PANEL SECTION



Ref. No.	Part No.	Description	Remark	Ref. No.	Part No.	Description	Remark
1	X-4945-824-1	KNOB (VOL.) ASSY		10	X-3369-842-1	FOOT ASSY (F58175S)	
2	3-350-426-01	SPRING, RING		* 11	1-655-999-11	TONE BOARD	
3	4-943-420-01	KNOB (DIA. 19)		* 12	4-921-941-01	CUSHION (FL)	
4	X-4946-317-1	PANEL ASSY, FRONT		* 13	4-943-107-11	HOLDER (FL TUBE)	
* 5	A-4377-521-A	DISPLAY BOARD, COMPLETE		14	4-957-383-01	KNOB (F14)	
6	1-773-742-11	WIRE (FLAT TYPE) (23 CORE)		* 15	1-656-317-11	STBY SW BOARD	
7	4-951-620-01	SCREW (2.6X8), +BVTP		FL201	1-517-141-11	INDICATOR TUBE, FLUORESCENT	
8	3-704-366-01	SCREW (CASE) (M3X8)		RV404	1-223-882-11	RES, VAR 100K/100K (MASTER VOLUME)	
* 9	4-951-795-01	CASE					

4-2. CHASSIS SECTION

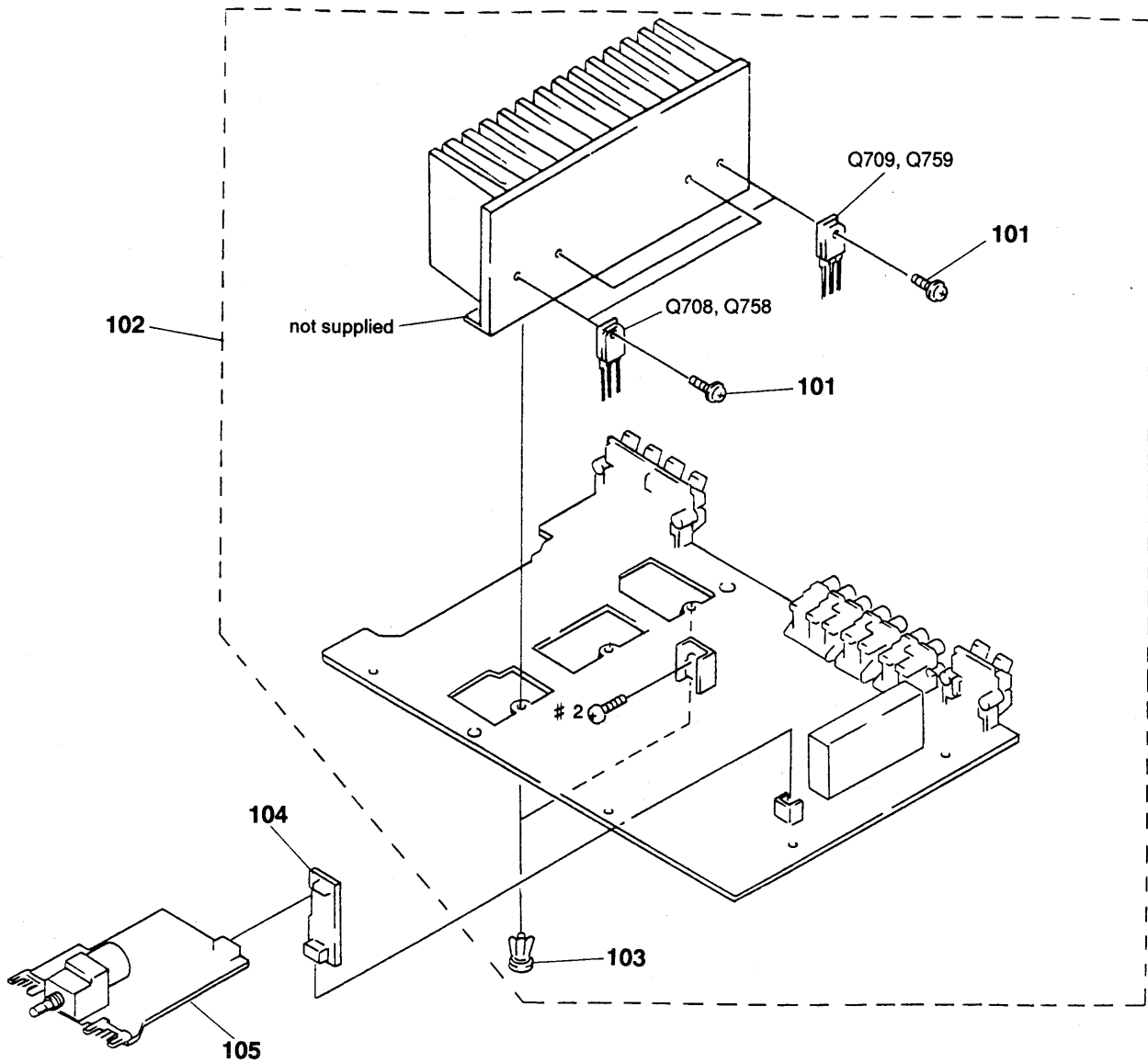


The components identified by mark ▲ or dotted line with mark ▲ are critical for safety.
Replace only with part number specified.

Les composants identifiés par une marque ▲ sont critiques pour la sécurité.
Ne les remplacer que par une pièce portant le numéro spécifié.

Ref. No.	Part No.	Description	Remark	Ref. No.	Part No.	Description	Remark
51	4-951-801-01	BUTTON (S)		* 61	3-703-244-00	BUSHING (2104), CORD	
* 52	1-656-000-11	SP SW BOARD		* 62	4-972-661-01	PANEL, BACK (US)	
* 53	1-656-007-11	PRIMARY BOARD		* 62	4-972-661-11	PANEL, BACK (CND)	
* 54	1-655-998-11	TRANSFORMER BOARD		* 63	1-656-004-11	SP SW-A BOARD	
* 55	1-656-002-11	STAND-BY BOARD		* 64	1-656-005-11	SP SW-B BOARD	
* 56	3-346-265-31	HOLDER, PC BOARD		▲F801	1-576-107-11	FUSE (3.15A 250V)	
* 57	4-924-098-31	HOLDER, PC BOARD		▲F802	1-576-107-11	FUSE (3.15A 250V)	
* 58	A-4361-389-A	CHASSIS ASSY		▲F902	1-576-109-11	FUSE (5A 125V)	
59	4-947-010-01	SCREW, FEEDER FIXED		▲T901	1-427-879-11	TRANSFORMER, POWER (US)	
▲60	1-769-743-11	CORD, POWER		▲T901	1-427-936-11	TRANSFORMER, POWER (CND)	

4-3. MAIN BOARD SECTION



Ref. No.	Part No.	Description
101	3-905-609-01	SCREW (TRANSISTOR)
* 102	A-4377-523-A	MAIN BOARD, COMPLETE (US)
* 102	A-4377-640-A	MAIN BOARD, COMPLETE (CND)
103	4-812-134-00	RIVET NYLON, 3.5
* 104	1-655-997-11	VOL-M CONNECT BOARD

Remark	Ref. No.	Part No.	Description
	* 105	A-4377-522-A	VOL BOARD, COMPLETE
	Q708	8-749-010-25	TRANSISTOR MN2488-OPY-M
	Q709	8-749-010-26	TRANSISTOR MP1620-OPY-M
	Q758	8-749-010-25	TRANSISTOR MN2488-OPY-M
	Q759	8-749-010-26	TRANSISTOR MP1620-OPY-M

DISPLAY

SECTION 5 ELECTRICAL PARTS LIST

NOTE:

The components identified by mark Δ or dotted line with mark Δ are critical for safety. Replace only with part number specified.

Les composants identifiés par une marque Δ sont critiques pour la sécurité. Ne les remplacer que par une pièce portant le numéro spécifié.

When indicating parts by reference number, please include the board name.

- Due to standardization, replacements in the parts list may be different from the parts specified in the diagrams or the components used on the set.
- Items marked " * " are not stocked since they are seldom required for routine service. Some delay should be anticipated when ordering these items.
- RESISTORS
All resistors are in ohms
METAL: Metal-film resistor
METAL OXIDE: Metal Oxide-film resistor
F : nonflammable
- SEMICONDUCTORS
In each case, μ , for example:
uA...: μ A..., uPA...: μ PA..., uPB...: μ PB...,
uPC...: μ PC..., uPD...: μ PD...
- CAPACITORS
uF : μ F
- COILS
uH : μ H
- Abbreviation
CND : Canadian model

Ref. No.	Part No.	Description	Remark	Ref. No.	Part No.	Description	Remark
*	A-4377-521-A	DISPLAY BOARD, COMPLETE *****				< TRANSISTOR >	
*	4-921-941-01	CUSHION (FL)		Q201	8-729-900-63	TRANSISTOR DTA124ES	
*	4-943-107-11	HOLDER (FL TUBE)		Q202	8-729-900-36	TRANSISTOR DTC124ES	
		< CAPACITOR >		Q203	8-729-900-36	TRANSISTOR DTC124ES	
				Q204	8-729-900-36	TRANSISTOR DTC124ES	
				Q205	8-729-900-36	TRANSISTOR DTC124ES	
						< RESISTOR >	
C201	1-104-905-11	CAP, DOUBLE LAYERS 0.22F		R200	1-249-433-11	CARBON 22K 5% 1/4W	
C202	1-124-465-00	ELECT 0.47uF 20%	50V	R201	1-249-427-11	CARBON 6.8K 5% 1/4W F	
C203	1-126-096-11	ELECT 10uF 20%	35V	R202	1-249-413-11	CARBON 470 5% 1/4W F	
C211	1-164-159-11	CERAMIC 0.1uF	50V	R203	1-249-415-11	CARBON 680 5% 1/4W F	
C212	1-164-159-11	CERAMIC 0.1uF	50V	R204	1-249-417-11	CARBON 1K 5% 1/4W F	
C213	1-162-294-31	CERAMIC 0.001uF 10%	50V	R205	1-249-419-11	CARBON 1.5K 5% 1/4W F	
C214	1-164-159-11	CERAMIC 0.1uF	50V	R206	1-249-421-11	CARBON 2.2K 5% 1/4W F	
		< CONNECTOR >		R207	1-249-423-11	CARBON 3.3K 5% 1/4W F	
CNS201	1-766-036-11	CONNECTOR, FFC(LIF(NON-ZIF))23P		R208	1-249-427-11	CARBON 6.8K 5% 1/4W F	
CNS202	1-770-400-11	HOUSING, CONNECTOR(PC BOARD)7P		R209	1-249-431-11	CARBON 15K 5% 1/4W	
* CNS203	1-565-481-11	CONNECTOR, BOARD TO BOARD 5P		R211	1-247-903-00	CARBON 1M 5% 1/4W	
		< DIODE >		R212	1-249-429-11	CARBON 10K 5% 1/4W	
D211	8-719-987-63	DIODE 1N4148M		R213	1-249-441-11	CARBON 100K 5% 1/4W	
D212	8-719-987-63	DIODE 1N4148M		R214	1-249-425-11	CARBON 4.7K 5% 1/4W F	
D213	8-719-987-63	DIODE 1N4148M		R215	1-249-441-11	CARBON 100K 5% 1/4W	
D214	8-719-987-63	DIODE 1N4148M		R216	1-249-441-11	CARBON 100K 5% 1/4W	
D224	8-719-987-63	DIODE 1N4148M		R217	1-249-429-11	CARBON 10K 5% 1/4W	
D231	8-719-987-63	DIODE 1N4148M		R218	1-249-433-11	CARBON 22K 5% 1/4W	
D232	8-719-987-63	DIODE 1N4148M		R221	1-247-807-31	CARBON 100 5% 1/4W	
D233	8-719-987-63	DIODE 1N4148M		R222	1-247-807-31	CARBON 100 5% 1/4W	
D234	8-719-987-63	DIODE 1N4148M		R223	1-247-807-31	CARBON 100 5% 1/4W	
D235	8-719-987-63	DIODE 1N4148M		R224	1-247-807-31	CARBON 100 5% 1/4W	
D236	8-719-987-63	DIODE 1N4148M		R225	1-247-807-31	CARBON 100 5% 1/4W	
		< FLUORESCENT INDICATOR >		R227	1-249-412-11	CARBON 390 5% 1/4W F	
FL201	1-517-141-11	INDICATOR TUBE, FLUORESCENT		R228	1-249-412-11	CARBON 390 5% 1/4W F	
		< IC >		R229	1-249-410-11	CARBON 270 5% 1/4W F	
IC201	8-759-347-90	IC uPD78044GF-126-3B9		R231	1-249-433-11	CARBON 22K 5% 1/4W	
IC202	8-759-962-08	IC BA6208		R232	1-249-433-11	CARBON 22K 5% 1/4W	
IC203	8-749-923-11	IC GP1U58XB		R233	1-249-433-11	CARBON 22K 5% 1/4W	
				R234	1-249-433-11	CARBON 22K 5% 1/4W	
				R235	1-249-433-11	CARBON 22K 5% 1/4W	
				R236	1-249-433-11	CARBON 22K 5% 1/4W	

Ref. No.	Part No.	Description	Remark	Ref. No.	Part No.	Description	Remark
		< SWITCH >		C408	1-162-294-31	CERAMIC	0.001uF 10% 50V
S201	1-554-303-21	SWITCH, TACTILE (TUNING +)		C409	1-126-962-11	ELECT	3.3uF 20% 50V
S202	1-554-303-21	SWITCH, TACTILE (TUNING -)		C410	1-164-159-11	CERAMIC	0.1uF 50V
S203	1-554-303-21	SWITCH, TACTILE (BAND)		C412	1-162-291-31	CERAMIC	560PF 10% 50V
S204	1-554-303-21	SWITCH, TACTILE (MEMORY)		C413	1-164-159-11	CERAMIC	0.1uF 50V
S208	1-554-303-21	SWITCH, TACTILE (FM MODE)		C414	1-161-494-00	CERAMIC	0.022uF 25V
S211	1-554-303-21	SWITCH, TACTILE (1)		C415	1-164-159-11	CERAMIC	0.1uF 50V
S212	1-554-303-21	SWITCH, TACTILE (2)		C416	1-164-159-11	CERAMIC	0.1uF 50V
S213	1-554-303-21	SWITCH, TACTILE (VIDEO)		C421	1-124-907-11	ELECT	10uF 20% 50V
S214	1-554-303-21	SWITCH, TACTILE (TV/LD)		C422	1-124-903-11	ELECT	1uF 20% 50V
S215	1-554-303-21	SWITCH, TACTILE (TAPE/MD)		C434	1-162-286-31	CERAMIC	220PF 10% 50V
S216	1-554-303-21	SWITCH, TACTILE (CD)		C435	1-162-286-31	CERAMIC	220PF 10% 50V
S221	1-554-303-21	SWITCH, TACTILE (TUNER)		C451	1-162-282-31	CERAMIC	100PF 10% 50V
S226	1-554-303-21	SWITCH, TACTILE (PHONO)		C452	1-126-962-11	ELECT	3.3uF 20% 50V
S231	1-554-303-21	SWITCH, TACTILE (DIRECT)		C453	1-104-792-51	ELECT	33uF 20% 16V
S232	1-554-303-21	SWITCH, TACTILE (0)		C454	1-162-282-31	CERAMIC	100PF 10% 50V
S233	1-554-303-21	SWITCH, TACTILE (+)		C455	1-137-459-11	FILM	0.0056uF 5% 100V
S234	1-554-303-21	SWITCH, TACTILE (SHIFT)		C457	1-137-365-11	FILM	0.0015uF 5% 50V
S235	1-554-303-21	SWITCH, TACTILE (-)		C459	1-126-962-11	ELECT	3.3uF 20% 50V
S236	1-554-303-21	SWITCH, TACTILE (9)		C460	1-164-159-11	CERAMIC	0.1uF 50V
S241	1-554-303-21	SWITCH, TACTILE (4)		C471	1-124-907-11	ELECT	10uF 20% 50V
S242	1-554-303-21	SWITCH, TACTILE (3)		C472	1-124-903-11	ELECT	1uF 20% 50V
S243	1-554-303-21	SWITCH, TACTILE (5)		C701	1-124-927-11	ELECT	4.7uF 20% 100V
S244	1-554-303-21	SWITCH, TACTILE (6)		C702	1-164-077-11	CERAMIC	220PF 10% 50V
S245	1-554-303-21	SWITCH, TACTILE (7)		C703	1-162-215-31	CERAMIC	47PF 5% 50V
S246	1-554-303-21	SWITCH, TACTILE (8)		C704	1-126-176-11	ELECT	220uF 20% 10V
		< VIBRATOR >		C705	1-164-084-11	CERAMIC	820PF 10% 50V
X201	1-577-101-11	VIBRATOR, CERAMIC (4.19MHz)		C706	1-124-477-11	ELECT	47uF 20% 25V
*****				C707	1-164-039-11	CERAMIC	3PF 0.25PF 50V
*	A-4377-523-A	MAIN BOARD, COMPLETE (US)		C708	1-124-477-11	ELECT	47uF 20% 25V
		*****		C710	1-162-815-11	CERAMIC	47PF 5% 500V
*	A-4377-640-A	MAIN BOARD, COMPLETE (CND)		C711	1-164-159-11	CERAMIC	0.1uF 50V
		*****		C712	1-137-372-11	FILM	0.022uF 5% 50V
	3-905-609-01	SCREW (TRANSISTOR)		C720	1-124-472-11	ELECT	470uF 20% 10V
	4-812-134-00	RIVET NYLON, 3.5		C721	1-124-927-11	ELECT	4.7uF 20% 100V
	7-682-548-09	SCREW +BVT 3X8 (S)		C722	1-124-927-11	ELECT	4.7uF 20% 100V
		< CAPACITOR >		C723	1-124-463-00	ELECT	0.1uF 20% 50V
C353	1-164-159-11	CERAMIC	0.1uF 50V	C751	1-124-927-11	ELECT	4.7uF 20% 100V
C354	1-164-159-11	CERAMIC	0.1uF 50V	C752	1-164-077-11	CERAMIC	220PF 10% 50V
C401	1-162-282-31	CERAMIC	100PF 10% 50V	C753	1-162-215-31	CERAMIC	47PF 5% 50V
C402	1-126-962-11	ELECT	3.3uF 20% 50V	C754	1-126-176-11	ELECT	220uF 20% 10V
C403	1-104-792-51	ELECT	33uF 20% 16V	C755	1-164-084-11	CERAMIC	820PF 10% 50V
C404	1-162-282-31	CERAMIC	100PF 10% 50V	C756	1-124-477-11	ELECT	47uF 20% 25V
C405	1-137-459-11	FILM	0.0056uF 5% 100V	C757	1-164-039-11	CERAMIC	3PF 0.25PF 50V
C406	1-164-159-11	CERAMIC	0.1uF 50V	C758	1-124-477-11	ELECT	47uF 20% 25V
C407	1-137-365-11	FILM	0.0015uF 5% 50V	C760	1-162-815-11	CERAMIC	47PF 5% 500V
				C761	1-164-159-11	CERAMIC	0.1uF 50V
				C762	1-137-372-11	FILM	0.022uF 5% 50V
				C801	1-124-477-11	ELECT	47uF 20% 25V
				C802	1-124-477-11	ELECT	47uF 20% 25V

MAIN

Ref. No.	Part No.	Description	Remark	Ref. No.	Part No.	Description	Remark
C803	1-107-766-11	ELECT	8200uF 20% 71V			< GROUND >	
C804	1-107-766-11	ELECT	8200uF 20% 71V	G200	1-537-770-11	TERMINAL BOARD, GROUND	
C805	1-137-420-11	FILM	0.047uF 10% 100V	G201	1-537-770-11	TERMINAL BOARD, GROUND	
C806	1-137-420-11	FILM	0.047uF 10% 100V	G202	1-537-770-11	TERMINAL BOARD, GROUND	
C807	1-124-477-11	ELECT	47uF 20% 25V			< IC >	
C808	1-124-477-11	ELECT	47uF 20% 25V				
C809	1-124-903-11	ELECT	1uF 20% 50V	IC302	8-759-636-74	IC M5218AP-22	
C810	1-124-903-11	ELECT	1uF 20% 50V	IC401	8-759-805-14	IC LC7822	
C811	1-124-618-11	ELECT	2200uF 20% 35V	IC402	8-759-636-74	IC M5218AP-22	
C812	1-124-618-11	ELECT	2200uF 20% 35V	IC801	8-759-287-58	IC TA78M12P	
C813	1-137-375-11	FILM	0.068uF 5% 50V	IC802	8-759-700-69	IC NJM79L12A	
C814	1-137-375-11	FILM	0.068uF 5% 50V	IC950	8-759-333-83	IC NJM2103D	
C820	1-161-494-00	CERAMIC	0.022uF 25V			< JACK >	
C821	1-161-494-00	CERAMIC	0.022uF 25V				
C950	1-124-360-00	ELECT	1000uF 20% 16V	J401	1-695-188-21	JACK, PIN 4P (PHONO, CD)	
C951	1-164-097-11	CERAMIC	0.022uF 50V	J402	1-580-825-11	JACK, PIN 6P (TAPE/MD, TV/LD)	
C952	1-124-903-11	ELECT	1uF 20% 50V	J403	1-573-028-21	JACK, PIN 4P (VIDEO)	
C953	1-124-464-11	ELECT	0.22uF 20% 50V			< COIL >	
C954	1-124-907-11	ELECT	10uF 20% 50V				
		< CONNECTOR >		L701	1-420-872-00	COIL, AIR-CORE	
CNP404	1-750-384-21	CONNECTOR, BOARD TO BOARD 11P		L751	1-420-872-00	COIL, AIR-CORE	
CNP702	1-770-481-11	PIN, CONNECTOR 4P				< TRANSISTOR >	
CNP802	1-770-479-11	PLUG, CONNECTOR PIN(PC BOARD) 4P					
CNS204	1-764-928-11	CONNECTOR, FFC (LIF(NON-ZIF)) 23P		Q305	8-729-141-30	TRANSISTOR 2SC3623A-LK	
		< DIODE >		Q306	8-729-141-30	TRANSISTOR 2SC3623A-LK	
D701	8-719-933-41	DIODE HZS6C3L		Q701	8-729-620-18	TRANSISTOR 2SA979-FG	
D702	8-719-987-63	DIODE 1N4148M		Q702	8-729-119-78	TRANSISTOR 2SC2785-HFE	
D703	8-719-815-85	DIODE 1S1585		Q703	8-729-140-82	TRANSISTOR 2SA988-PAFAEA	
D704	8-719-815-85	DIODE 1S1585		Q704	8-729-119-78	TRANSISTOR 2SC2785-HFE	
D706	8-719-987-63	DIODE 1N4148M		Q705	8-729-122-13	TRANSISTOR 2SA1221-K	
D707	8-719-987-63	DIODE 1N4148M		Q706	8-729-195-82	TRANSISTOR 2SC2958	
D708	8-719-987-63	DIODE 1N4148M		Q707	8-729-141-30	TRANSISTOR 2SC3623A-LK	
D710	8-719-815-85	DIODE 1S1585		Q708	8-749-010-25	TRANSISTOR MN2488-OPY-M	
D751	8-719-933-41	DIODE HZS6C3L		Q709	8-749-010-26	TRANSISTOR MP1620-OPY-M	
D752	8-719-987-63	DIODE 1N4148M		Q710	8-729-140-82	TRANSISTOR 2SA988-PAFAEA	
D753	8-719-815-85	DIODE 1S1585		Q711	8-729-119-78	TRANSISTOR 2SC2785-HFE	
D801	8-719-002-33	DIODE UZL-24L		Q712	8-729-140-82	TRANSISTOR 2SA988-PAFAEA	
D802	8-719-302-38	DIODE RBV-602-01		Q713	8-729-140-84	TRANSISTOR 2SC1841-PAFAEA	
D803	8-719-025-03	DIODE RBA-402-SL		Q714	8-729-119-78	TRANSISTOR 2SC2785-HFE	
D804	8-719-010-38	DIODE UZ-5.1BSB		Q715	8-729-119-76	TRANSISTOR 2SA1175-HFE	
D810	8-719-024-99	DIODE 11ES2-NTA2B		Q751	8-729-620-18	TRANSISTOR 2SA979-FG	
D811	8-719-024-99	DIODE 11ES2-NTA2B		Q752	8-729-119-78	TRANSISTOR 2SC2785-HFE	
D812	8-719-024-99	DIODE 11ES2-NTA2B		Q753	8-729-140-82	TRANSISTOR 2SA988-PAFAEA	
D813	8-719-024-99	DIODE 11ES2-NTA2B		Q754	8-729-119-78	TRANSISTOR 2SC2785-HFE	
D814	8-719-987-63	DIODE 1N4148M		Q755	8-729-122-13	TRANSISTOR 2SA1221-K	
D815	8-719-987-63	DIODE 1N4148M		Q756	8-729-195-82	TRANSISTOR 2SC2958	
				Q757	8-729-141-30	TRANSISTOR 2SC3623A-LK	
				Q758	8-749-010-25	TRANSISTOR MN2488-OPY-M	
				Q759	8-749-010-26	TRANSISTOR MP1620-OPY-M	

Ref. No.	Part No.	Description	Remark	Ref. No.	Part No.	Description	Remark
Q760	8-729-140-82	TRANSISTOR 2SA988-PAFAEA		R467	1-247-897-11	CARBON 560K 5%	1/4W
Q765	8-729-119-76	TRANSISTOR 2SA1175-HFE		R470	1-247-887-00	CARBON 220K 5%	1/4W
Q801	8-729-140-97	TRANSISTOR 2SB734-34					
Q802	8-729-119-78	TRANSISTOR 2SC2785-HFE		R471	1-249-417-11	CARBON 1K 5%	1/4W F
Q951	8-729-030-18	TRANSISTOR 2SD2525		R603	1-249-409-11	CARBON 220 5%	1/4W F
		< RESISTOR >		R701	1-249-421-11	CARBON 2.2K 5%	1/4W F
				R702	1-249-435-11	CARBON 33K 5%	1/4W
R304	1-249-441-11	CARBON 100K 5%	1/4W	R703	1-249-409-11	CARBON 220 5%	1/4W F
R354	1-249-425-11	CARBON 4.7K 5%	1/4W F	R704	1-249-434-11	CARBON 27K 5%	1/4W
R355	1-249-425-11	CARBON 4.7K 5%	1/4W F	R705	1-249-415-11	CARBON 680 5%	1/4W F
R365	1-249-417-11	CARBON 1K 5%	1/4W F	△R706	1-249-409-11	CARBON 220 5%	1/4W F
R366	1-249-417-11	CARBON 1K 5%	1/4W F	R707	1-249-421-11	CARBON 2.2K 5%	1/4W F
				R708	1-249-433-11	CARBON 22K 5%	1/4W
R401	1-249-411-11	CARBON 330 5%	1/4W	△R709	1-249-409-11	CARBON 220 5%	1/4W F
R402	1-249-425-11	CARBON 4.7K 5%	1/4W F	R710	1-249-435-11	CARBON 33K 5%	1/4W
R403	1-249-417-11	CARBON 1K 5%	1/4W F	R711	1-249-414-11	CARBON 560 5%	1/4W F
R404	1-249-417-11	CARBON 1K 5%	1/4W F	R712	1-249-422-11	CARBON 2.7K 5%	1/4W F
R405	1-249-417-11	CARBON 1K 5%	1/4W F	△R713	1-249-397-11	CARBON 22 5%	1/4W F
R406	1-249-417-11	CARBON 1K 5%	1/4W F	R714	1-249-437-11	CARBON 47K 5%	1/4W
R407	1-249-417-11	CARBON 1K 5%	1/4W F	R715	1-249-414-11	CARBON 560 5%	1/4W F
R408	1-249-429-11	CARBON 10K 5%	1/4W	△R716	1-249-397-11	CARBON 22 5%	1/4W F
R409	1-249-437-11	CARBON 47K 5%	1/4W	R717	1-249-421-11	CARBON 2.2K 5%	1/4W F
R410	1-247-897-11	CARBON 560K 5%	1/4W	△R718	1-249-393-11	CARBON 10 5%	1/4W F
R411	1-249-416-11	CARBON 820 5%	1/4W F	△R719	1-249-393-11	CARBON 10 5%	1/4W F
R412	1-247-897-11	CARBON 560K 5%	1/4W	△R720	1-233-352-21	ENCAPSULATED COMPONENT 0.22 2W	
R413	1-249-437-11	CARBON 47K 5%	1/4W	R721	1-249-437-11	CARBON 47K 5%	1/4W
R414	1-249-425-11	CARBON 4.7K 5%	1/4W F	R722	1-249-425-11	CARBON 4.7K 5%	1/4W F
R416	1-249-417-11	CARBON 1K 5%	1/4W F	R723	1-249-431-11	CARBON 15K 5%	1/4W
R417	1-247-897-11	CARBON 560K 5%	1/4W	△R724	1-249-393-11	CARBON 10 5%	1/4W F
R420	1-247-887-00	CARBON 220K 5%	1/4W	△R725	1-249-389-11	CARBON 4.7 5%	1/4W F
R421	1-249-417-11	CARBON 1K 5%	1/4W F	R727	1-249-437-11	CARBON 47K 5%	1/4W
R435	1-249-418-11	CARBON 1.2K 5%	1/4W F	△R729	1-249-887-11	CARBON 33 5%	1/4W F
R442	1-249-418-11	CARBON 1.2K 5%	1/4W F	△R730	1-249-887-11	CARBON 33 5%	1/4W F
R443	1-249-418-11	CARBON 1.2K 5%	1/4W F	R731	1-249-429-11	CARBON 10K 5%	1/4W
R447	1-249-416-11	CARBON 820 5%	1/4W F	R732	1-249-417-11	CARBON 1K 5%	1/4W F
R448	1-249-429-11	CARBON 10K 5%	1/4W	R733	1-249-435-11	CARBON 33K 5%	1/4W
R449	1-249-433-11	CARBON 22K 5%	1/4W	R734	1-249-427-11	CARBON 6.8K 5%	1/4W F
R451	1-249-411-11	CARBON 330 5%	1/4W	R737	1-249-429-11	CARBON 10K 5%	1/4W
R452	1-249-425-11	CARBON 4.7K 5%	1/4W F	R738	1-249-424-11	CARBON 3.9K 5%	1/4W F
R453	1-249-417-11	CARBON 1K 5%	1/4W F	R751	1-249-421-11	CARBON 2.2K 5%	1/4W F
R454	1-249-417-11	CARBON 1K 5%	1/4W F	R752	1-249-435-11	CARBON 33K 5%	1/4W
R455	1-249-417-11	CARBON 1K 5%	1/4W F	R753	1-249-409-11	CARBON 220 5%	1/4W F
R456	1-249-417-11	CARBON 1K 5%	1/4W F	R754	1-249-434-11	CARBON 27K 5%	1/4W
R457	1-249-417-11	CARBON 1K 5%	1/4W F	R755	1-249-415-11	CARBON 680 5%	1/4W F
R458	1-249-429-11	CARBON 10K 5%	1/4W	△R756	1-249-409-11	CARBON 220 5%	1/4W F
R459	1-249-437-11	CARBON 47K 5%	1/4W	R757	1-249-421-11	CARBON 2.2K 5%	1/4W F
R460	1-247-897-11	CARBON 560K 5%	1/4W	R758	1-249-433-11	CARBON 22K 5%	1/4W
R461	1-249-416-11	CARBON 820 5%	1/4W F	△R759	1-249-409-11	CARBON 220 5%	1/4W F
R462	1-247-897-11	CARBON 560K 5%	1/4W	R760	1-249-435-11	CARBON 33K 5%	1/4W
R463	1-249-437-11	CARBON 47K 5%	1/4W	R761	1-249-414-11	CARBON 560 5%	1/4W F
R466	1-249-417-11	CARBON 1K 5%	1/4W F	R762	1-249-422-11	CARBON 2.7K 5%	1/4W F

<p>The components identified by mark △ or dotted line with mark △ are critical for safety. Replace only with part number specified.</p>	<p>Les composants identifiés par une marque △ sont critiques pour la sécurité. Ne les remplacer que par une pièce portant le numéro spécifié.</p>
---	---

MAIN

PRIMARY

SP SW

SP SW-A

SP SW-B

STAND-BY

Ref. No.	Part No.	Description	Remark
△R763	1-249-397-11	CARBON	22 5% 1/4W F
R764	1-249-437-11	CARBON	47K 5% 1/4W
R765	1-249-414-11	CARBON	560 5% 1/4W F
△R766	1-249-397-11	CARBON	22 5% 1/4W F
R767	1-249-421-11	CARBON	2.2K 5% 1/4W F
△R768	1-249-393-11	CARBON	10 5% 1/4W F
△R769	1-249-393-11	CARBON	10 5% 1/4W F
△R770	1-233-352-21	ENCAPSULATED COMPONENT	0.22 2W
R771	1-249-437-11	CARBON	47K 5% 1/4W
R772	1-249-425-11	CARBON	4.7K 5% 1/4W F
R773	1-249-431-11	CARBON	15K 5% 1/4W
△R774	1-249-393-11	CARBON	10 5% 1/4W F
△R775	1-249-389-11	CARBON	4.7 5% 1/4W F
R777	1-249-438-11	CARBON	56K 5% 1/4W
R788	1-249-424-11	CARBON	3.9K 5% 1/4W F
R801	1-249-423-11	CARBON	3.3K 5% 1/4W F
△R802	1-249-409-11	CARBON	220 5% 1/4W F
△R805	1-216-446-00	METAL OXIDE	18 5% 2W F
R806	1-249-425-11	CARBON	4.7K 5% 1/4W F
R807	1-249-437-11	CARBON	47K 5% 1/4W
△R808	1-249-405-11	CARBON	100 5% 1/4W F
R950	1-249-421-11	CARBON	2.2K 5% 1/4W F
R951	1-249-429-11	CARBON	10K 5% 1/4W
R952	1-249-423-11	CARBON	3.3K 5% 1/4W F
R953	1-249-429-11	CARBON	10K 5% 1/4W
R954	1-249-439-11	CARBON	68K 5% 1/4W
R955	1-249-429-11	CARBON	10K 5% 1/4W
R956	1-249-423-11	CARBON	3.3K 5% 1/4W F
R957	1-249-417-11	CARBON	1K 5% 1/4W F
R960	1-249-429-11	CARBON	10K 5% 1/4W
		< RELAY >	
RY701	1-515-920-11	RELAY (24V)	
		< TERMINAL >	
TM001	1-537-240-51	TERMINAL BOARD (CHECKER PIN) (ANTENNA)	
TM701	1-537-376-11	TERMINAL BOARD (SP) (SPEAKERS)	
		< TUNER >	
TU001	1-233-307-11	ENCAPSULATED COMPONENT (FCC)	

* 1-656-007-11 PRIMARY BOARD

Ref. No.	Part No.	Description	Remark
*	1-656-000-11	SP SW BOARD *****	
		< JACK >	
J741	1-750-733-11	JACK (LARGE TYPE) (PHONES)	
		< RESISTOR >	
R741	1-247-753-11	CARBON	1.2K 5% 1/2W
R742	1-247-753-11	CARBON	1.2K 5% 1/2W
R791	1-247-753-11	CARBON	1.2K 5% 1/2W
R792	1-247-753-11	CARBON	1.2K 5% 1/2W
		< SWITCH >	
S701	1-762-320-11	SWITCH, PUSH (2 KEY) (SPEAKERS ON/OFF)	

*	1-656-004-11	SP SW-A BOARD *****	

*	1-656-005-11	SP SW-B BOARD *****	
		< CONNECTOR >	
CNS702	1-770-482-11	CONNECTOR, BOARD TO BOARD 4P	

*	1-656-002-11	STAND-BY BOARD *****	
		< CONNECTOR >	
CNJ902	1-540-057-11	OUTLET, AC (POLAR) (AC OUTLET)	
CNP901	1-564-321-00	PIN, CONNECTOR 2P	
CNS802	1-770-480-11	SOCKET, CONNECTOR PIN 4P	
		< DIODE >	
D816	8-719-987-63	DIODE 1N4148M	
		< FUSE >	
△F902	1-576-109-11	FUSE 5A 125V	
		< FUSE HOLDER >	
FH902	1-533-217-31	HOLDER, FUSE	
FH952	1-533-217-31	HOLDER, FUSE	
		< GROUND >	
G900	1-537-770-11	TERMINAL BOARD, GROUND	

The components identified by mark △ or dotted line with mark △ are critical for safety. Replace only with part number specified.	Les composants identifiés par une marque △ sont critiques pour la sécurité. Ne les remplacer que par une pièce portant le numéro spécifié.
--	--

STAND-BY STBY SW TONE TRANSFORMER VOL

Ref.No.	Part No.	Description	Remark	Ref.No.	Part No.	Description	Remark
		< RESISTOR >					
△R901	1-202-725-00	SOLID 3.3M 10% 1/2W		R487	1-247-903-00	CARBON 1M 5% 1/4W	
		< RELAY >		R490	1-247-903-00	CARBON 1M 5% 1/4W	
△RY901	1-515-720-11	RELAY				< VARIABLE RESISTOR >	
		< TRANSFORMER >		RV421	1-223-362-11	RES, VAR, CARBON 100K/100K (BASS)	
△T902	1-450-361-11	TRANSFORMER, POWER		RV422	1-223-363-11	RES, VAR, CARBON 125K/125K (TREBLE)	
		*****		RV423	1-223-880-11	RES, VAR, CARBON 100K/100K (BALANCE)	
		1-656-317-11 STBY SW BOARD				< SWITCH >	
		*****		S209	1-554-303-21	SWITCH, TACTILE (MUTING -20dB)	
		< SWITCH >		S210	1-554-303-21	SWITCH, TACTILE (BASS BOOST)	
S200	1-554-303-21	SWITCH, TACTILE (POWER)				*****	
		*****		*	1-655-998-11	TRANSFORMER BOARD	
		< CAPACITOR >				*****	
C421	1-137-440-11	FILM 0.018uF 5% 50V				< CONNECTOR >	
C422	1-124-463-00	ELECT 0.1uF 20% 50V		CNP801	1-764-478-11	PIN, CONNECTOR (PC BOARD) 9P	
C423	1-137-368-11	FILM 0.0047uF 5% 50V				< FUSE >	
C424	1-137-372-11	FILM 0.022uF 5% 50V		△F801	1-576-107-11	FUSE 3.15A 250V	
C471	1-137-440-11	FILM 0.018uF 5% 50V		△F802	1-576-107-11	FUSE 3.15A 250V	
C472	1-124-463-00	ELECT 0.1uF 20% 50V				< FUSE HOLDER >	
C473	1-137-368-11	FILM 0.0047uF 5% 50V		FH801	1-533-217-31	HOLDER, FUSE	
C474	1-137-372-11	FILM 0.022uF 5% 50V		FH802	1-533-217-31	HOLDER, FUSE	
		< CONNECTOR >		FH851	1-533-217-31	HOLDER, FUSE	
* CNP203	1-569-799-11	PLUG, CONNECTOR 5P		FH852	1-533-217-31	HOLDER, FUSE	
CNS401	1-770-399-11	HOUSING, CONNECTOR(PC BOARD) 6P				*****	
		< DIODE >		*	A-4377-522-A	VOL BOARD, COMPLETE	
D207	8-719-313-72	LED SEL6810A-TH12 (BASS BOOST)				*****	
D208	8-719-313-72	LED SEL6810A-TH12 (MUTING -20dB)				< CAPACITOR >	
		< RESISTOR >		C420	1-162-207-31	CERAMIC 22PF 5% 50V	
R210	1-249-435-11	CARBON 33K 5% 1/4W		C425	1-126-096-11	ELECT 10uF 20% 35V	
R421	1-249-430-11	CARBON 12K 5% 1/4W		C426	1-126-096-11	ELECT 10uF 20% 35V	
R422	1-249-422-11	CARBON 2.7K 5% 1/4W F		C427	1-124-252-00	ELECT 0.33uF 20% 50V	
R429	1-249-415-11	CARBON 680 5% 1/4W F		C428	1-130-489-00	MYLAR 0.033uF 5% 50V	
R437	1-247-903-00	CARBON 1M 5% 1/4W				< CAPACITOR >	
R440	1-247-903-00	CARBON 1M 5% 1/4W		C429	1-164-070-11	CERAMIC 100PF 5% 50V	
R471	1-249-430-11	CARBON 12K 5% 1/4W		C430	1-126-301-11	ELECT 1uF 20% 50V	
R472	1-249-422-11	CARBON 2.7K 5% 1/4W F		C431	1-126-301-11	ELECT 1uF 20% 50V	
R479	1-249-415-11	CARBON 680 5% 1/4W F		C432	1-126-096-11	ELECT 10uF 20% 35V	
				C433	1-126-096-11	ELECT 10uF 20% 35V	
						< CAPACITOR >	
				C470	1-162-207-31	CERAMIC 22PF 5% 50V	
				C475	1-126-096-11	ELECT 10uF 20% 35V	
				C476	1-126-096-11	ELECT 10uF 20% 35V	
				C477	1-124-252-00	ELECT 0.33uF 20% 50V	
				C478	1-130-489-00	MYLAR 0.033uF 5% 50V	

The components identified by mark <u>△</u> or dotted line with mark <u>△</u> are critical for safety. Replace only with part number specified.	Les composants identifiés par une marque <u>△</u> sont critiques pour la sécurité. Ne les remplacer que par une pièce portant le numéro spécifié.
---	--

VOL

VOL-M

Ref.No.	Part No.	Description	Remark
C479	1-164-070-11	CERAMIC 100PF 5%	50V
C492	1-124-464-11	ELECT 0.22uF 20%	50V
< CONNECTOR >			
CNP202	1-770-391-11	PIN, CONNECTOR (PC BOARD) 7P	
CNP401	1-770-390-11	PIN, CONNECTOR (PC BOARD) 6P	
CNP403	1-770-406-11	CONNECTOR, BOARD TO BOARD 10P	
< DIODE >			
D421	8-719-987-63	DIODE 1N4148M	
< IC >			
IC404	8-759-636-74	IC M5218AP-22	
< TRANSISTOR >			
Q401	8-729-202-67	TRANSISTOR 2SK246-GR3	
Q402	8-729-141-30	TRANSISTOR 2SC3623A-LK	
Q403	8-729-141-30	TRANSISTOR 2SC3623A-LK	
Q451	8-729-202-67	TRANSISTOR 2SK246-GR3	
Q452	8-729-141-30	TRANSISTOR 2SC3623A-LK	
Q453	8-729-141-30	TRANSISTOR 2SC3623A-LK	
< RESISTOR >			
R425	1-249-428-11	CARBON 8.2K 5%	1/4W F
R426	1-249-438-11	CARBON 56K 5%	1/4W
R427	1-249-417-11	CARBON 1K 5%	1/4W F
R428	1-249-425-11	CARBON 4.7K 5%	1/4W F
R430	1-249-437-11	CARBON 47K 5%	1/4W
R431	1-249-423-11	CARBON 3.3K 5%	1/4W F
R432	1-247-883-00	CARBON 150K 5%	1/4W
R433	1-249-427-11	CARBON 6.8K 5%	1/4W F
R434	1-249-412-11	CARBON 390 5%	1/4W F
R436	1-249-441-11	CARBON 100K 5%	1/4W
R438	1-249-441-11	CARBON 100K 5%	1/4W
R441	1-249-441-11	CARBON 100K 5%	1/4W
R444	1-247-903-00	CARBON 1M 5%	1/4W
R446	1-247-807-31	CARBON 100 5%	1/4W
R464	1-247-903-00	CARBON 1M 5%	1/4W
R469	1-247-903-00	CARBON 1M 5%	1/4W
R475	1-249-428-11	CARBON 8.2K 5%	1/4W F
R476	1-249-438-11	CARBON 56K 5%	1/4W
R477	1-249-417-11	CARBON 1K 5%	1/4W F
R478	1-249-425-11	CARBON 4.7K 5%	1/4W F
R480	1-249-437-11	CARBON 47K 5%	1/4W
R481	1-249-423-11	CARBON 3.3K 5%	1/4W F
R482	1-247-883-00	CARBON 150K 5%	1/4W
R483	1-249-427-11	CARBON 6.8K 5%	1/4W F
R484	1-249-412-11	CARBON 390 5%	1/4W F
R491	1-249-441-11	CARBON 100K 5%	1/4W

Ref.No.	Part No.	Description	Remark
R492	1-247-903-00	CARBON 1M 5%	1/4W
R494	1-247-903-00	CARBON 1M 5%	1/4W
R496	1-247-807-31	CARBON 100 5%	1/4W
< VARIABLE RESISTOR >			
RV404	1-223-882-11	RES, VAR 100K/100K (MASTER VOLUME)	

*	1-655-997-11	VOL-M CONNECT BOARD	

< CONNECTOR >			
CNS403	1-770-381-11	CONNECTOR, BOARD TO BOARD 10P	
CNS404	1-750-383-21	CONNECTOR, BOARD TO BOARD 11P	

MISCELLANEOUS			

6	1-773-742-11	WIRE (FLAT TYPE) (23 CORE)	
△60	1-769-743-11	CORD, POWER	
△F801	1-576-107-11	FUSE (3.15A 250V)	
△F802	1-576-107-11	FUSE (3.15A 250V)	
△F902	1-576-109-11	FUSE (5A 125V)	
FL201	1-517-141-11	INDICATOR TUBE, FLUORESCENT	
Q708	8-749-010-25	TRANSISTOR MN2488-OPY-M	
Q709	8-749-010-26	TRANSISTOR MP1620-OPY-M	
Q758	8-749-010-25	TRANSISTOR MN2488-OPY-M	
Q759	8-749-010-26	TRANSISTOR MP1620-OPY-M	
RV404	1-223-882-11	RES, VAR 100K/100K (MASTER VOLUME)	
△T901	1-427-879-11	TRANSFORMER, POWER (US)	
△T901	1-427-936-11	TRANSFORMER, POWER (CND)	

ACCESSORIES & PACKING MATERIALS			

	1-473-072-11	COMMANDER, STANDARD (RM-U253)	
	1-501-374-11	ANTENNA, LOOP	
	3-798-811-21	MANUAL, INSTRUCTION (ENGLISH)	
	3-798-811-31	MANUAL, INSTRUCTION (FRENCH) (CND)	
	4-941-762-01	COVER (MLY), BATTERY (for RM-U253)	
*	4-952-676-01	CUSHION	
*	4-974-622-01	INDIVIDUAL CARTON	

<p>The components identified by mark △ or dotted line with mark △ are critical for safety. Replace only with part number specified.</p>	<p>Les composants identifiés par une marque △ sont critiques pour la sécurité. Ne les remplacer que par une pièce portant le numéro spécifié.</p>
---	--

<u>Ref. No.</u>	<u>Part No.</u>	<u>Description</u>	<u>Remark</u>
		***** HARDWARE LIST *****	
#1	7-682-548-09	SCREW +BVTT 3X8 (S)	
#2	7-682-548-04	SCREW +BVTT 3X8 (S)	
#3	7-685-646-79	SCREW +BVTP 3X8 TYPE2 N-S	
#4	7-621-849-00	SCREW, TAPPING	
#5	7-682-560-04	SCREW +BVTT 4X6 (S)	

STR-D365

SONY SERVICE MANUAL

US Model
Canadian Model

SUPPLEMENT-1

File this supplement with the service manual.

Subject : CIRCUIT CHANGED

(ECN-TA503934)

1. Circuit changed

PARTS LIST

Page	FORMER				NEW			
	Ref.No	Part No	Description	Remark	Ref.No	Part No	Description	Remark
35			** MAIN BOARD **				** MAIN BOARD **	
	C414	1-161-494-00	CERAMIC 0.22uF	25V				

■ : Indicates changed portion

SCHEMATIC DIAGRAM

